

Simple, 90V, 20mA Temperature Compensated Constant Current LED Driver IC

Features

- ❑ 5.0V to 90V operating range (V_{a-b})
- ❑ 20mA $\pm 5\%$ at 45V V_{a-b}
- ❑ $-8.5\mu A / ^\circ C$ Typical Temperature Coefficient
- ❑ SOT-89 and D-PAK package
- ❑ No external components (two terminal device)
- ❑ Can be paralleled for higher current

Applications

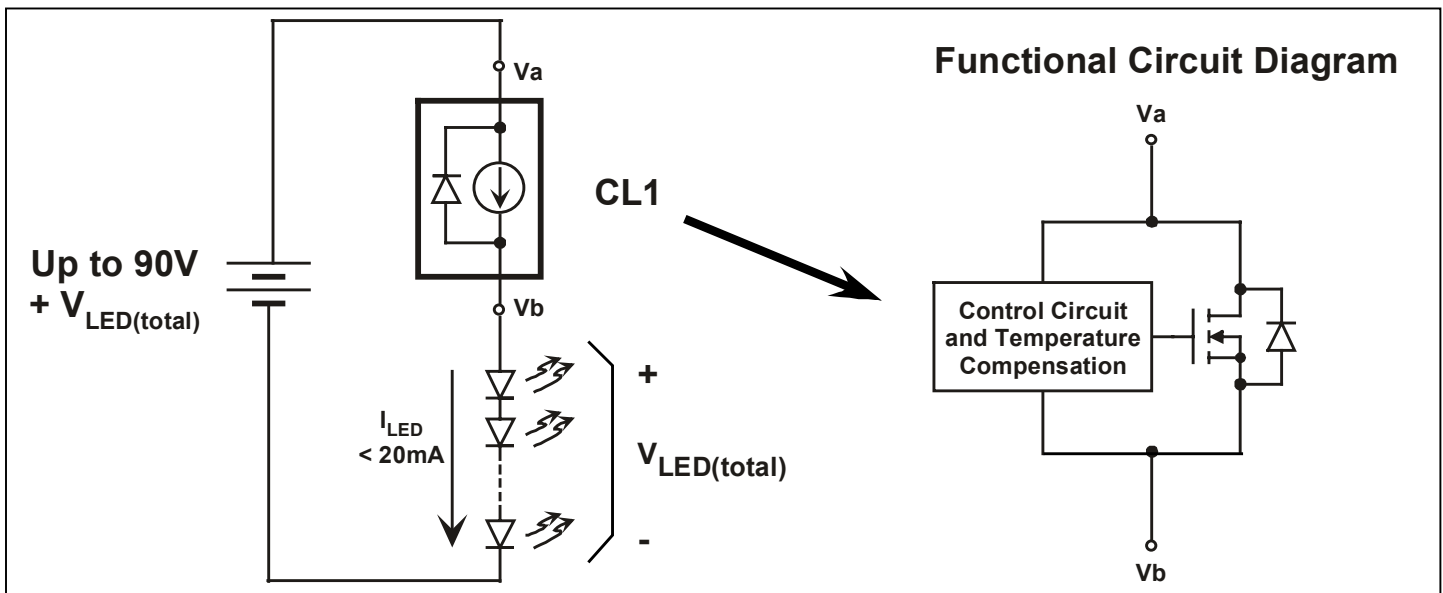
- ❑ LED driver
- ❑ Industrial lamp indicators
- ❑ Signage
- ❑ Accent lighting
- ❑ Automotive
- ❑ Constant current source
- ❑ Constant current sink

General Description

The Supertex CL1 is a high voltage, temperature compensated, constant current source. The device is trimmed to provide a constant current of 20mA $\pm 5\%$ at an input voltage of 45V. No external components are required. The device can be used as a two terminal constant current source or constant current sink.

A typical application for the CL1 is to drive LEDs with a constant current of 20mA. They can also be used in parallel to provide higher currents such as 40mA, 60mA or 80mA. The device is available in surface mount SOT-89 and D-PAK packages.

Typical Application Circuit



Ordering Information

Order Number / Package	
D-PAK	TO-243AA*
CL1K4	CL1N8

*Same as SOT-89 product supplied on 2000 piece tape reels.

Thermal Characteristics

Package	Power Dissipation @ T _A =25°C	θ _{JC} °C/W	θ _{JA} °C/W
TO-243AA (SOT-89)	1.3W*	15	78*
TO-252 (D-PAK)	2.0W*	6.0	50*

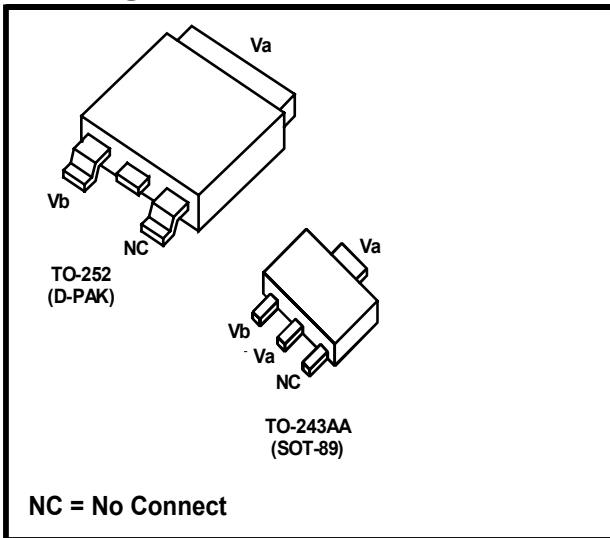
* Mounted on FR4 board; 25mm x 25mm x 1.57mm.

Absolute Maximum Ratings*

V _{a-b} , Operating Voltage	100V
T _J , Operating Junction Temperature	0°C to +125°C
T _s , Storage Temperature	-55°C to +150°C

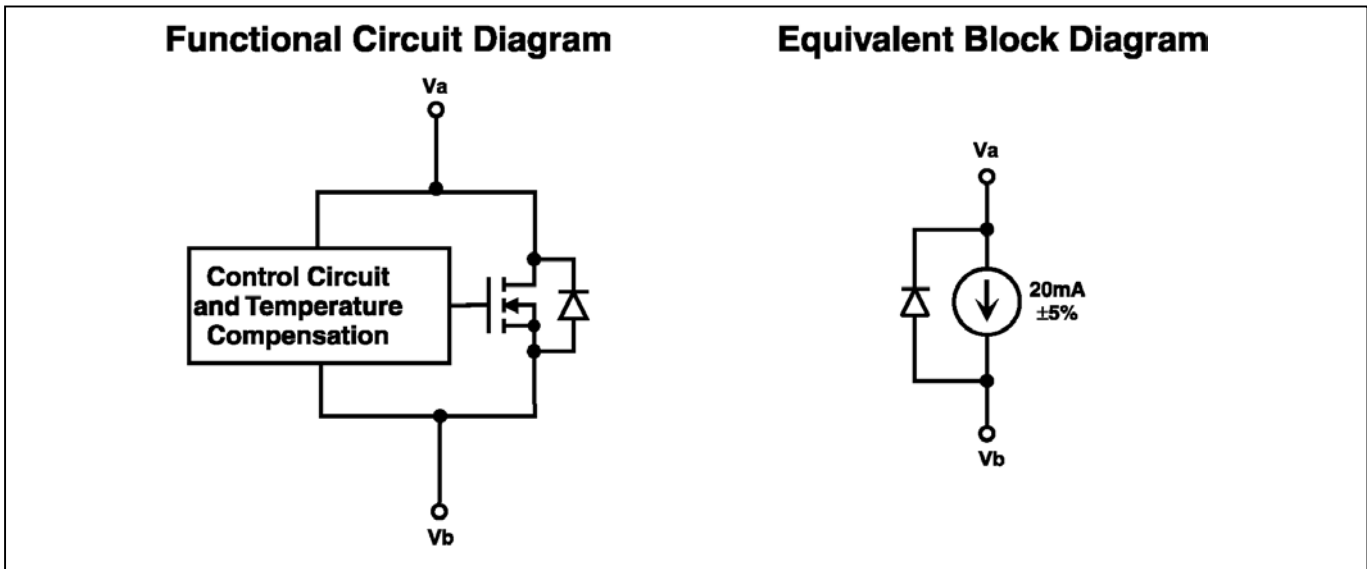
*Absolute Maximum Ratings are those values beyond which damage to the device may occur. Functional operation under these conditions is not implied. Continuous operation of the device at the absolute rating level may affect device reliability.

Package Options

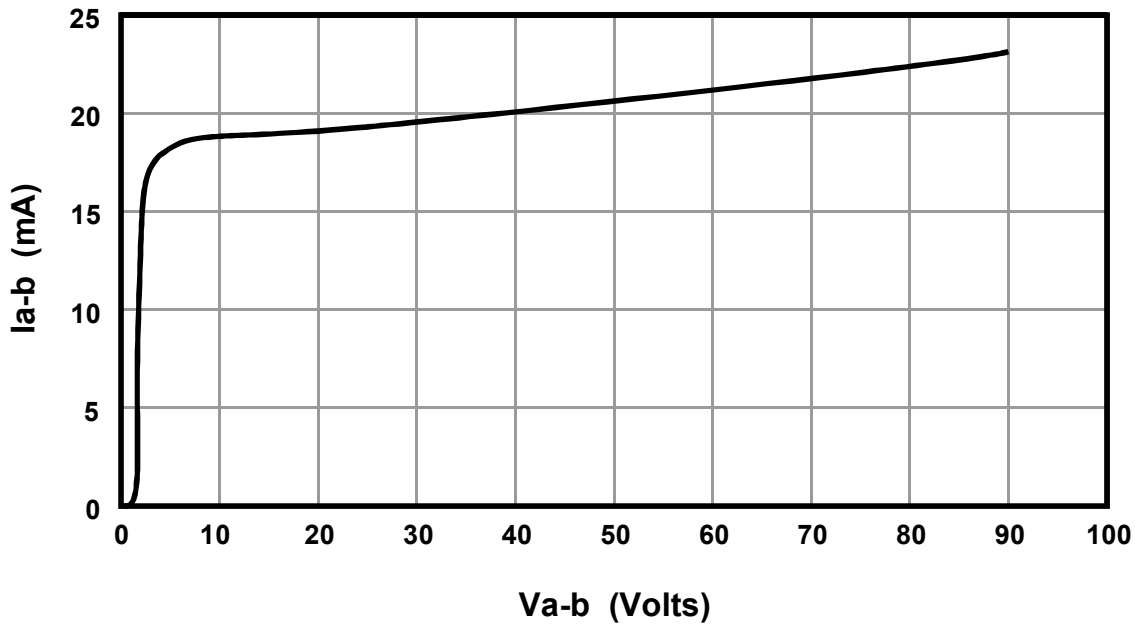


Electrical Characteristics (@ $T_J=25^\circ\text{C}$ unless otherwise specified)

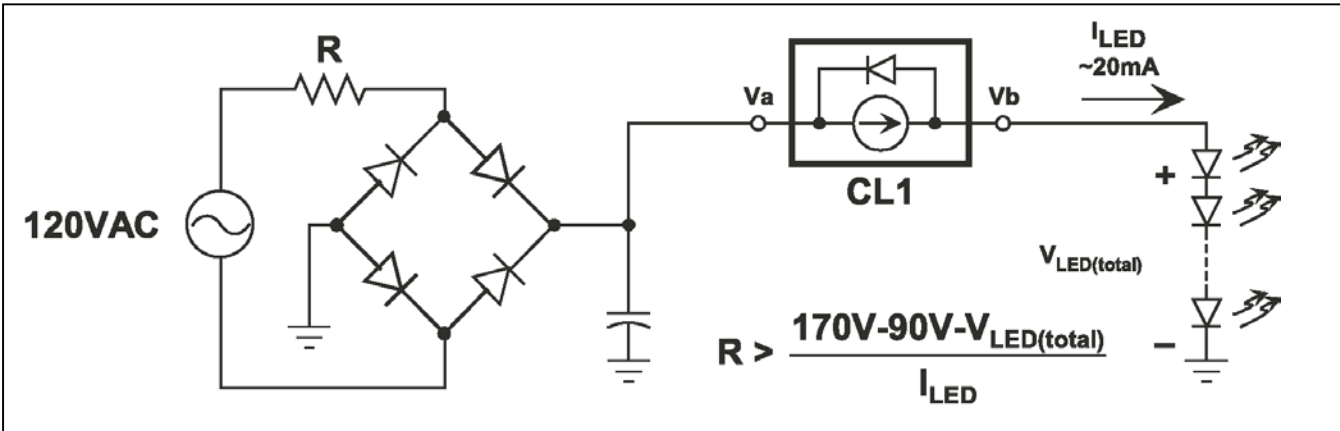
Symbol	Parameter	Min	Typ	Max	Units	Conditions
Va-b	Maximum operating voltage			90	V	
Ia-b	Current regulation	17.1	18.0	18.9	mA	Va-b=5V
		19.0	20.0	21.0	mA	Va-b=45V
		21.8	23.0	24.2	mA	Va-b=90V
$\Delta I_{a-b}/\Delta T$	Ia-b temperature coefficient		-8.5		$\mu\text{A}/^\circ\text{C}$	Va-b=45V, $T_J=0^\circ\text{C}$ to 100°C
Ra-b	AC resistance		17		K Ω	Va-b=5.0V to 90V
T_J	Operating junction temperature	0		125	$^\circ\text{C}$	



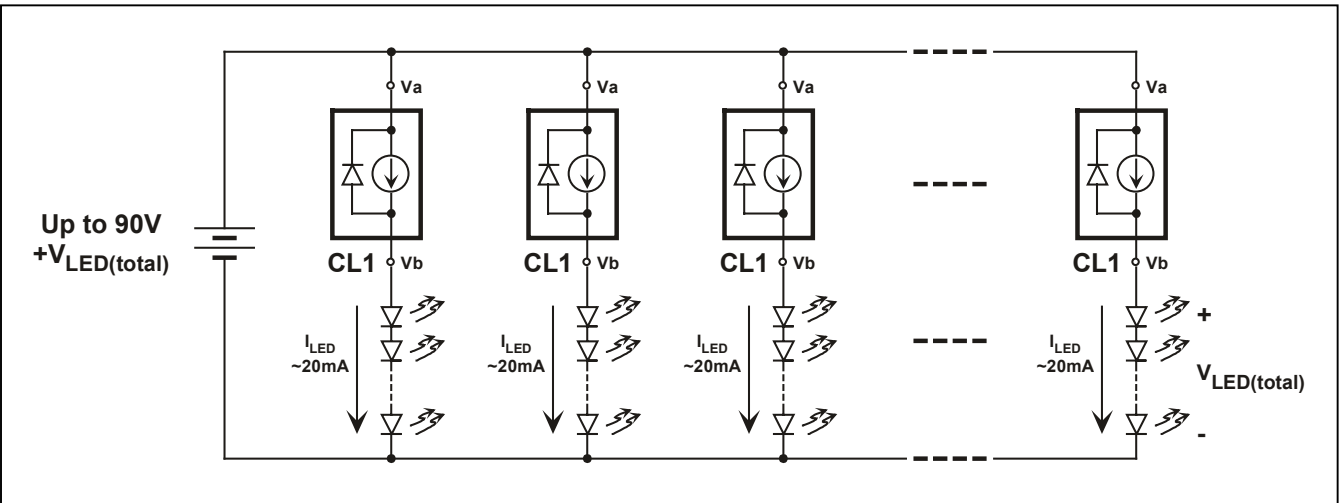
Output Current vs Voltage



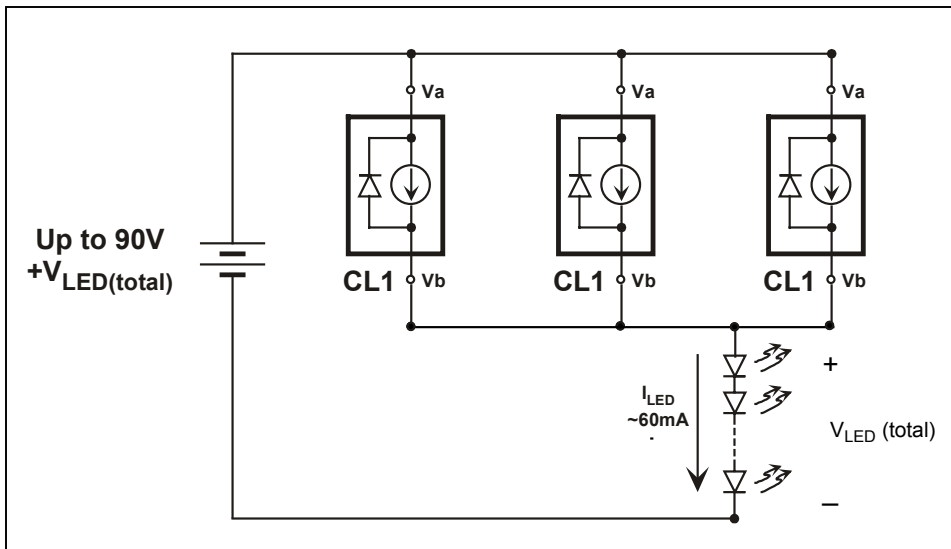
CL1 for 120V Off Line LED Driver



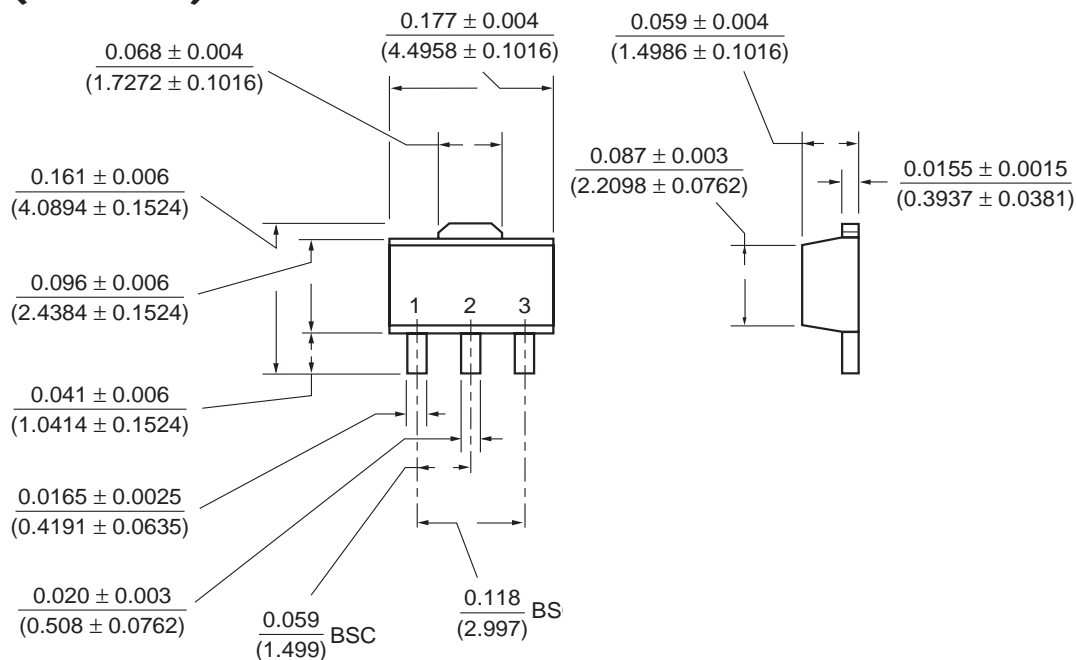
CL1 for Multiple LED Strings



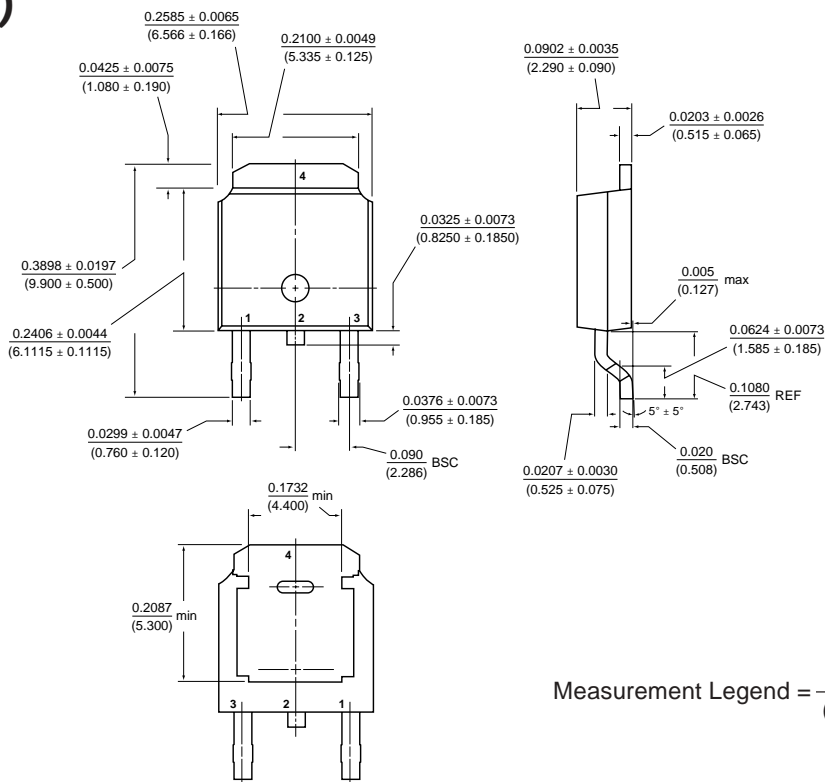
CL1 for 120V Off Line LED Driver



TO-243AA (SOT-89:N8)



TO-252 (DPAK:K4)



Measurement Legend = $\frac{\text{Dimensions in Inches}}{\text{(Dimensions in Millimeters)}}$