

8 MHz, 64-Channel Serial To Parallel Converter With Push-Pull Outputs

Ordering Information

Device	Package Options			
	80 Lead Quad Ceramic Gullwing	80 Lead Quad Plastic Gullwing	80 Lead Quad Ceramic Gullwing (MIL-STD-883 Processed*)	Die
HV57908	HV57908DG	HV57908PG	RBHV57908DG	HV57908X

*For Hi-Rel process flows, please refer to page 5-3 in the Databook.

Features

- Processed with HVCMOS® technology
- 5V CMOS logic
- Output voltages up to 80V
- Low power level shifting
- 8MHz data rate
- Latched data outputs
- Forward and reverse shifting options (DIR pin)
- Diode to V_{PP} allows efficient power recovery
- Outputs may be hot switched
- Hi-Rel processing available

Absolute Maximum Ratings

Supply voltage, V_{DD} ¹	-0.5V to +7.5V	
Output voltage, V_{PP}	-0.5V to +90V	
Logic input levels	-0.3V to V_{DD} +0.3V	
Ground current ²	1.5A	
Continuous total power dissipation ³	Plastic	1200mW
	Ceramic	1900mW
Operating temperature range	Plastic	-40°C to 85°C
	Ceramic	-55°C to 125°C
Storage temperature range	-65°C to +150°C	
Lead temperature 1.6mm (1/16 inch) from case for 10 seconds	260°C	

Notes:

1. All voltages are referenced to GND.
2. Limited by the total power dissipated in the package.
3. For operation above 25°C ambient derate linearly to maximum operating temperature at 20mW/°C for plastic and at 19mW/°C for ceramic.

11/12/01

Supertex Inc. does not recommend the use of its products in life support applications and will not knowingly sell its products for use in such applications unless it receives an adequate "products liability indemnification insurance agreement." Supertex does not assume responsibility for use of devices described and limits its liability to the replacement of devices determined to be defective due to workmanship. No responsibility is assumed for possible omissions or inaccuracies. Circuitry and specifications are subject to change without notice. For the latest product specifications, refer to the Supertex website: <http://www.supertex.com>. For complete liability information on all Supertex products, refer to the most current databook or to the Legal/Disclaimer page on the Supertex website.

General Description

The HV579 is a low-voltage serial to high-voltage parallel converter with push-pull outputs. This device has been designed for use as a driver for electroluminescent displays. It can also be used in any application requiring multiple output high-voltage current sourcing and sinking capability such as driving plasma panels, vacuum fluorescent displays, or large matrix LCD displays.

The device consists of a 64-bit shift register, 64 latches, and control logic to perform the polarity select and blanking of the outputs. HVout1 is connected to the first stage of the shift register through the polarity and blanking logic. Data is shifted through the shift registers on the logic low to high transition of the clock. The DIR pin causes CCW shifting when connected to GND, and CW shifting when connected to V_{DD} . A data output buffer is provided for cascading devices. This output reflects the current status of the last bit of the shift register (HV_{OUT} 64). Operation of the shift register is not affected by the \overline{LE} (latch enable), \overline{BL} (blinking), or the \overline{POL} (polarity) inputs. Transfer of data from the shift registers to the latches occurs when the \overline{LE} (latch enable) input is high. The data in the latches is stored when \overline{LE} is low.

Electrical Characteristics (over recommended operating conditions unless noted, $T_A = -40^\circ\text{C}$ to $+85^\circ\text{C}$)

DC Characteristics

Symbol	Parameter	Min	Max	Units	Conditions
I_{DD}	V_{DD} supply current		15	mA	$V_{DD} = V_{DD\text{ max}}$ $f_{CLK} = 8\text{MHz}$
I_{PP}	High voltage supply current		100	μA	Outputs high
			100	μA	Outputs low
I_{DDQ}	Quiescent V_{DD} supply current		100	μA	All $V_{IN} = V_{DD}$
V_{OH}	High-level output	HV _{OUT}	65	V	$I_O = -15\text{mA}$, $V_{PP} = 80\text{V}$
		Data out	$V_{DD} - 0.5$	V	$I_O = -100\mu\text{A}$
V_{OL}	Low-level output	HV _{OUT}	7	V	$I_O = 12\text{mA}$, $V_{PP} = 80\text{V}$
		Data out	0.5	V	$I_O = 100\mu\text{A}$
I_{IH}	High-level logic input current		1	μA	$V_{IH} = V_{DD}$
I_{IL}	Low-level logic input current		-1	μA	$V_{IL} = 0\text{V}$
V_{OC}	High voltage clamp diode		1	V	$I_{OC} = 1\text{mA}$

AC Characteristics ($T_A = 85^\circ\text{C}$ max. Logic signal inputs and Data inputs have $t_r, t_f \leq 5\text{ns}$ [10% and 90% points])

Symbol	Parameter	Min	Max	Units	Conditions
f_{CLK}	Clock frequency		8	MHz	
t_{WL}, t_{WH}	Clock width high or low	62		ns	
t_{SU}	Data set-up time before clock rises	10		ns	
t_H	Data hold time after clock rises	15		ns	
t_{ON}, t_{OFF}	Time from latch enable to HV _{OUT}		500	ns	$C_L = 15\text{pF}$
t_{DHL}	Delay time clock to data high to low		70	ns	$C_L = 15\text{pF}$
t_{DLH}	Delay time clock to data low to high		70	ns	$C_L = 15\text{pF}$
t_{DLE}^*	Delay time clock to \overline{LE} low to high	25		ns	
t_{WLE}	Width of \overline{LE} pulse	25		ns	
t_{SLE}	\overline{LE} set-up time before clock rises	0		ns	

* t_{DLE} is not required but is recommended to produce stable HV outputs and thus minimize power dissipation and current spikes (allows internal SR output to stabilize).

Recommended Operating Conditions

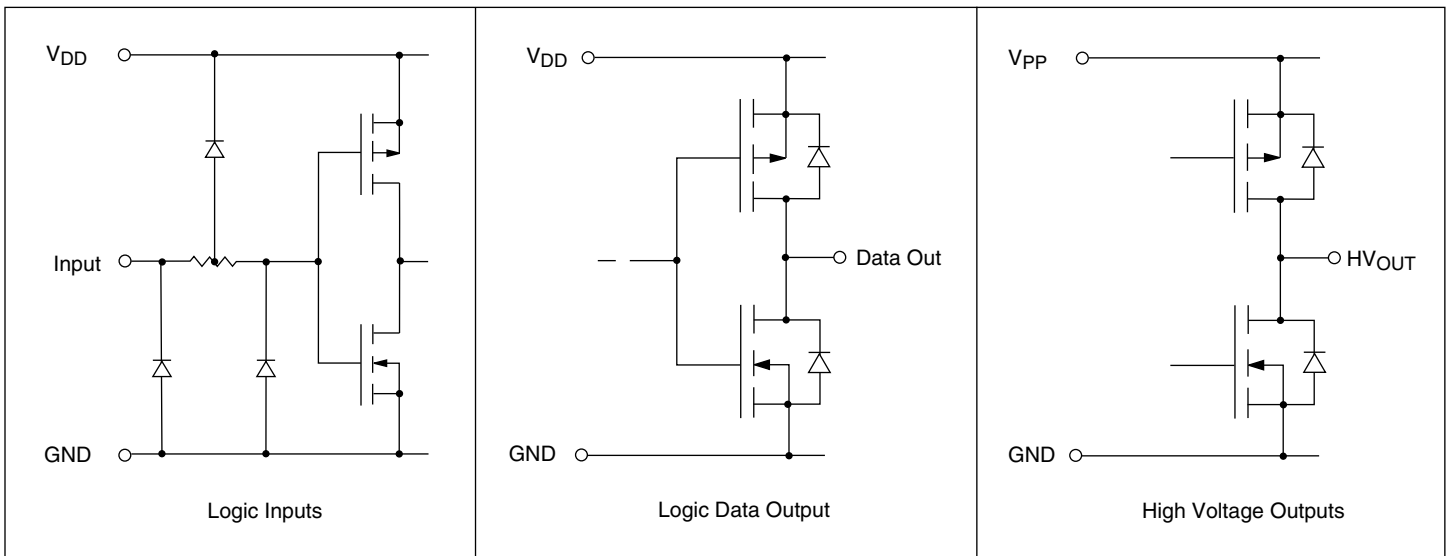
Symbol	Parameter	Min	Max	Units	
V_{DD}	Logic supply voltage	4.5	5.5	V	
V_{PP}	Output voltage	8	80	V	
V_{IH}	High-level input voltage	$V_{DD} - 0.5$		V	
V_{IL}	Low-level input voltage	0	0.5	V	
f_{CLK}	Clock frequency		8	MHz	
T_A	Operating free-air temperature	Plastic	-40	+85	$^\circ\text{C}$
		Ceramic	-55	+125	

Note: Power-up sequence should be the following:

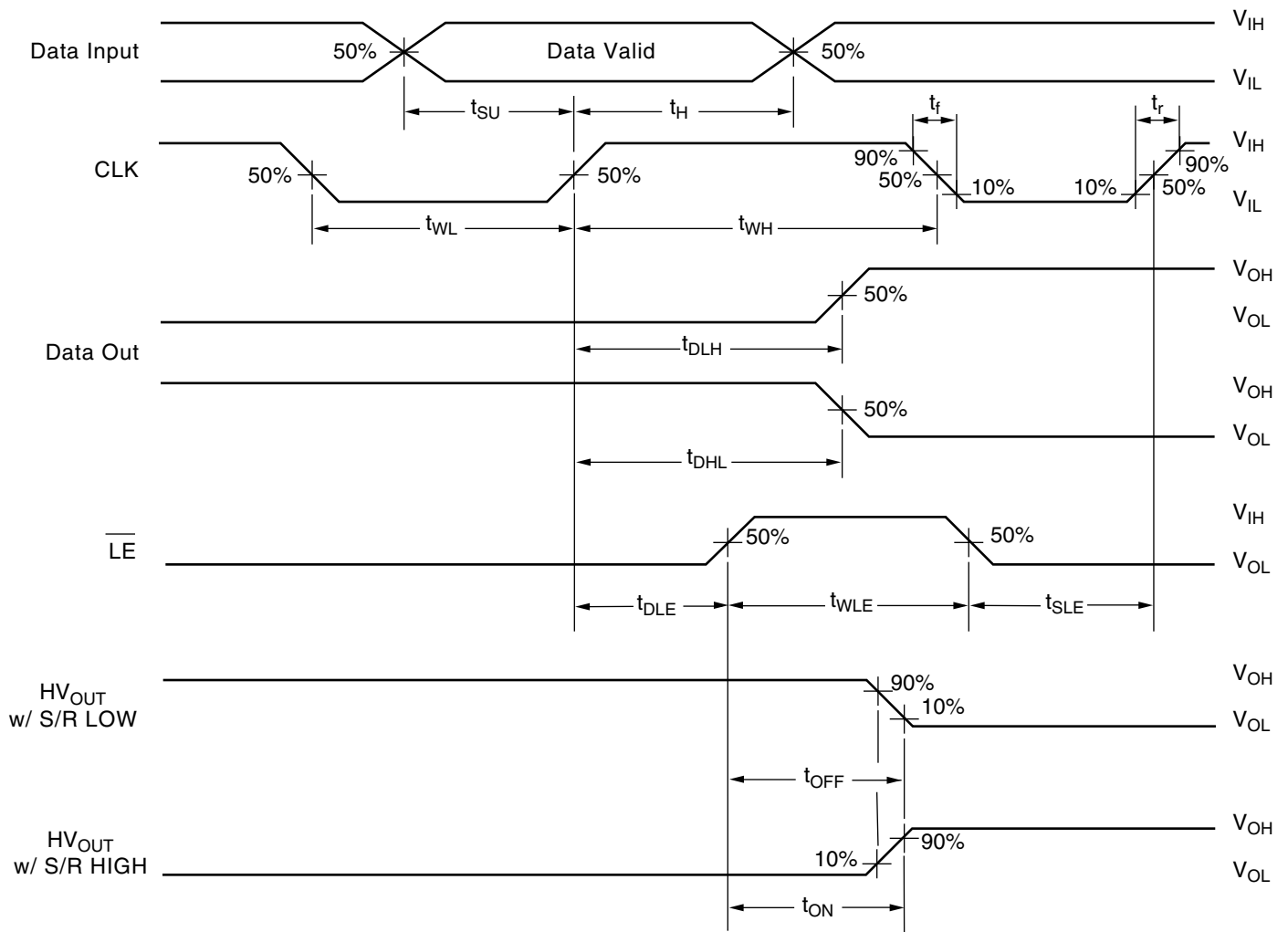
1. Connect ground.
2. Apply V_{DD} .
3. Set all inputs (Data, CLK, Enable, etc.) to a known state.
4. Apply V_{PP} .
5. The V_{PP} should not drop below V_{DD} or float during operation.

Power-down sequence should be the reverse of the above.

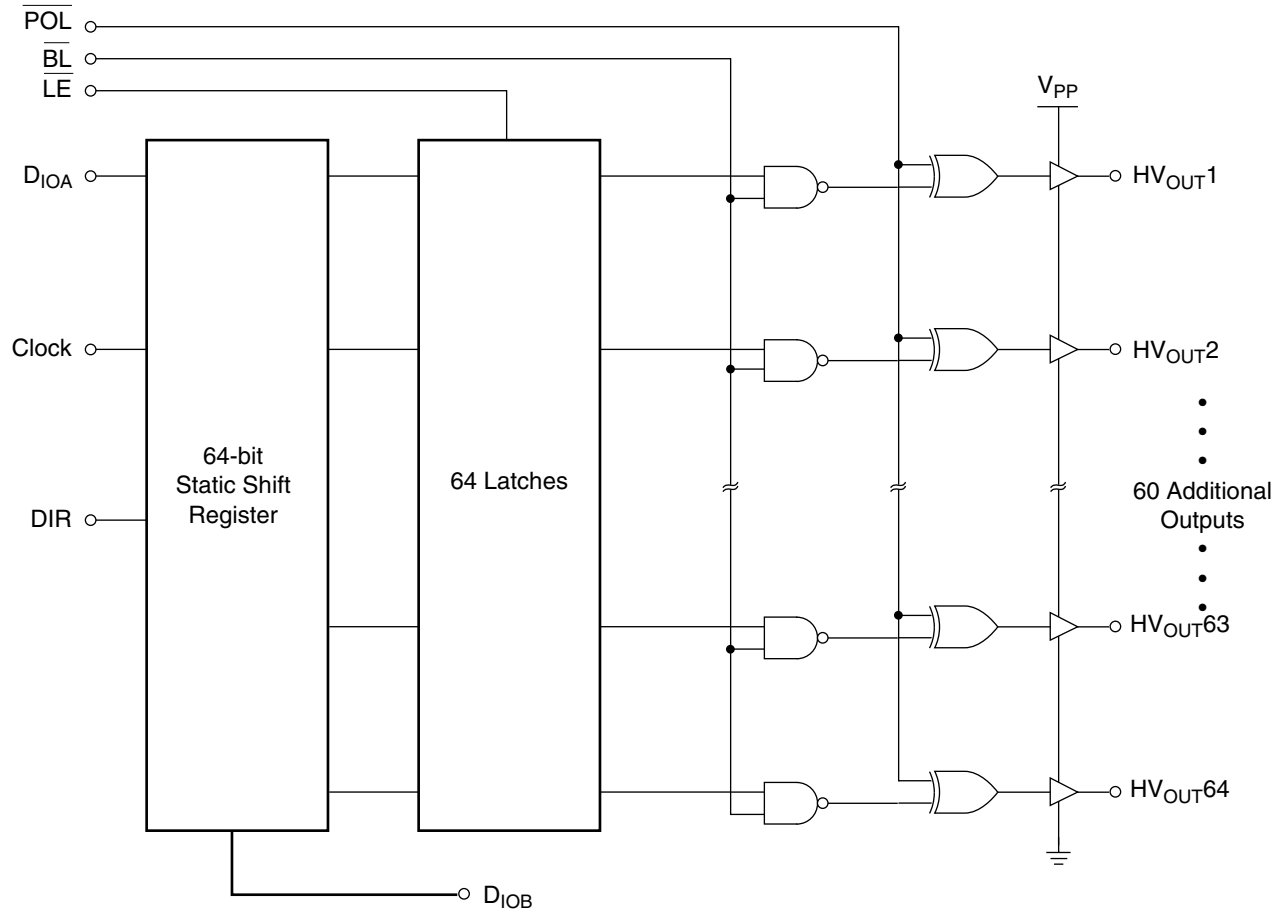
Input and Output Equivalent Circuits



Switching Waveforms



Functional Block Diagram



Function Table

Function	Inputs						Outputs		
	Data	CLK	\overline{LE}	\overline{BL}	\overline{POL}	DIR	Shift Reg	HV Outputs	Data Out
All O/P High	X	X	X	L	L	X		H	
All O/P Low	X	X	X	L	H	X		L	
O/P Normal	X	X	X	H	H	X		No inversion	
O/P Inverted	X	X	X	H	L	X		Inversion	
Data Falls Through (Latches Transparent)	L	\uparrow	H	H	H	X	L	L	
	H	\uparrow	H	H	H	X	H	H	
	L	\uparrow	H	H	L	X	L	H	
	H	\uparrow	H	H	L	X	H	L	
Data Stored	X	X	L	H	H	X	*	Stored Data	
Latches Loaded	X	X	L	H	L	X	*	Inversion of Stored Data	
I/O Relation	D_{IOA}	\uparrow	X	X	X	H	$Q_n \rightarrow Q_{n+1}$	-	D_{IOB}
	D_{IOB}	\uparrow	X	X	X	L	$Q_n \rightarrow Q_{n-1}$	-	D_{IOA}

Note: * = dependent on previous stage's state.

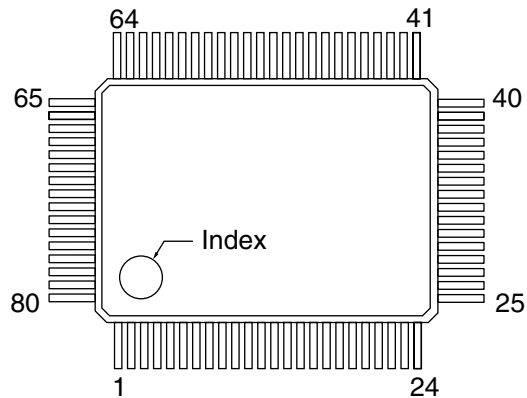
Pin Configurations

HV579

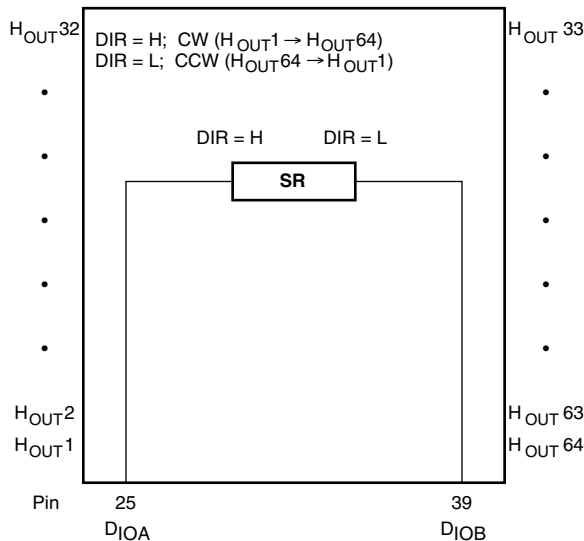
80-pin Gullwing

Pin	Function	Pin	Function
1	HV _{OUT} 24/41	41	HV _{OUT} 64/1
2	HV _{OUT} 23/42	42	HV _{OUT} 63/2
3	HV _{OUT} 22/43	43	HV _{OUT} 62/3
4	HV _{OUT} 21/44	44	HV _{OUT} 61/4
5	HV _{OUT} 20/45	45	HV _{OUT} 60/5
6	HV _{OUT} 19/46	46	HV _{OUT} 59/6
7	HV _{OUT} 18/47	47	HV _{OUT} 58/7
8	HV _{OUT} 17/48	48	HV _{OUT} 57/8
9	HV _{OUT} 16/49	49	HV _{OUT} 56/9
10	HV _{OUT} 15/50	50	HV _{OUT} 55/10
11	HV _{OUT} 14/51	51	HV _{OUT} 54/11
12	HV _{OUT} 13/52	52	HV _{OUT} 53/12
13	HV _{OUT} 12/53	53	HV _{OUT} 52/13
14	HV _{OUT} 11/54	54	HV _{OUT} 51/14
15	HV _{OUT} 10/55	55	HV _{OUT} 50/15
16	HV _{OUT} 9/56	56	HV _{OUT} 49/16
17	HV _{OUT} 8/57	57	HV _{OUT} 48/17
18	HV _{OUT} 7/58	58	HV _{OUT} 47/18
19	HV _{OUT} 6/59	59	HV _{OUT} 46/19
20	HV _{OUT} 5/60	60	HV _{OUT} 45/20
21	HV _{OUT} 4/61	61	HV _{OUT} 44/21
22	HV _{OUT} 3/62	62	HV _{OUT} 43/22
23	HV _{OUT} 2/63	63	HV _{OUT} 42/23
24	HV _{OUT} 1/64	64	HV _{OUT} 41/24
25	D _{IOA}	65	HV _{OUT} 40/25
26	N/C	66	HV _{OUT} 39/26
27	N/C	67	HV _{OUT} 38/27
28	N/C	68	HV _{OUT} 37/28
29	LE	69	HV _{OUT} 36/29
30	CLK	70	HV _{OUT} 35/30
31	BL	71	HV _{OUT} 34/31
32	V _{DD}	72	HV _{OUT} 33/32
33	DIR	73	HV _{OUT} 32/33
34	GND	74	HV _{OUT} 31/34
35	POL	75	HV _{OUT} 30/35
36	N/C	76	HV _{OUT} 29/36
37	N/C	77	HV _{OUT} 28/37
38	N/C	78	HV _{OUT} 27/38
39	D _{IOB}	79	HV _{OUT} 26/39
40	V _{PP}	80	HV _{OUT} 25/40

Package Outline



top view
80-pin Gullwing Package



Note:

Pin designation for DIR = H/L.

Example: For DIR = H, pin 41 is HV_{OUT} 64.

For DIR = L, pin 41 is HV_{OUT} 1.