

10-Channel Serial-Input Latched Display Driver

Ordering Information

Device	Package Options			
	18-Pin Plastic DIP	20-Pin Small Outline Package	20-Pin Plastic Chip Carrier	Die
HV6810	HV6810P	HV6810WG	HV6810PJ	HV6810X

*For Hi-Rel process flow, refer to page 5-3 of the Databook.

Features

- ❑ High output voltage 80V
- ❑ High speed 5MHz @ 5V_{DD}
- ❑ Low power I_{BB} ≤ 0.1mA (All high)
- ❑ Active pull down 100µA min
- ❑ Output source current 100mA at 60V V_{PP}
- ❑ Each device drives 10 lines
- ❑ High-speed serially-shifted data input
- ❑ 5V CMOS-compatible inputs
- ❑ Latches on all driver outputs
- ❑ Pin-compatible improved replacement for UCN5810A and TL4810A, TL4810B

General Description

The HV6810 is a monolithic integrated circuit designed to drive a dot matrix or segmented vacuum fluorescent display (VFD). These devices feature a serial data output to cascade additional devices for large displays.

A 10-bit data word is serially loaded into the shift register on the positive-going transition of the clock. Parallel data is transferred to the output buffers through a 10-bit D-type latch while the latch enable input is high and is latched when the latch enable is low. When the blanking input is high, all outputs are low.

Outputs are structures formed by double-diffused MOS (DMOS) transistors with output voltage ratings of 80 volts and 25 milliamperes source-current capability. All inputs are compatible with CMOS levels.

Absolute Maximum Ratings¹

Logic supply voltage, V _{DD} ²	7.5V	
Driver supply voltage, V _{BB} ²	90V	
Output voltage ²	90V	
Input voltage ²	-0.3V to V _{DD} + 0.3V	
Continuous total power dissipation at 25°C free-air temperature ³	18-Pin P-DIP ³	900mW
	20-Pin SOIC ⁴	1000mW
	20-Pin PLCC ⁴	1000mW
Operating Temperature Range	-40° to +85°C	

Notes:

1. Over operating free-air temperature.
2. All voltages are referenced to V_{SS}.
3. For operation above 25°C ambient derate linearly to 85°C at 15mW/°C.
4. For operation above 25°C ambient derate linearly to 85°C at 16.7mW/°C.

01/06/03

Supertex Inc. does not recommend the use of its products in life support applications and will not knowingly sell its products for use in such applications unless it receives an adequate "products liability indemnification insurance agreement." Supertex does not assume responsibility for use of devices described and limits its liability to the replacement of devices determined to be defective due to workmanship. No responsibility is assumed for possible omissions or inaccuracies. Circuitry and specifications are subject to change without notice. For the latest product specifications, refer to the Supertex website: <http://www.supertex.com>. For complete liability information on all Supertex products, refer to the most current databook or to the Legal/Disclaimer page on the Supertex website.

Electrical Characteristics

DC Characteristics ($V_{DD} = 5V \pm 10\%$, $V_{BB} = 60V$, $V_{SS} = 0$, $T_A = 25^\circ C$ unless otherwise noted)

Symbol	Parameter	Min	Typ	Max	Units	Conditions
V_{OH}	High-level output voltage	Q outputs	57.5	58		V $I_{OH} = 25mA$
		Serial output	4	4.5		V $V_{DD} = 4.5V$, $I_{OH} = -100\mu A$
V_{OL}	Low-level output voltage	Q outputs		0.15	1	V $I_{OH} = 100\mu A$, Blanking input at V_{DD}
		Serial output		0.05	0.1	V $V_{DD} = 4.5V$, $I_{OL} = 100\mu A$
I_{OL}	Low-level Q output current (pull-down current)	60	80		μA	$T_A = Max$, $V_{OL} = 0.7V$
$I_{O(OFF)}$	Off-state output current		-1	-15	μA	$V_O = 0$, Blanking input $T_A = Max$ at V_{DD}
I_H	High-level input current			1	μA	$V_I = V_{DD}$
I_{DD}	Supply current from V_{DD} (standby)		10	50	μA	All inputs at 0V, one Q output high
			10	50	μA	All inputs at 0V, all Q outputs low
I_{BB}	Supply current from V_{BB}		0.05	0.1	mA	All outputs low, all Q outputs open
			0.05	0.1	mA	All outputs high, all Q outputs open

* All typical values are at $T_A = 25^\circ C$, except for I_O .

AC Characteristics (Timing requirements over recommended operating conditions)

Symbol	Parameter	Min	Typ	Max	Units	Conditions
$t_{W(CKH)}$	Pulse duration, clock high	100			ns	
$t_{W(LEH)}$	Pulse duration, latch enable high	100			ns	
$t_{SU(D)}$	Setup time, data before clock	50			ns	
$t_{H(D)}$	Hold time, data after clock	50			ns	
$t_{CKH-LEH}$	Delay time, clock to latch enable high	50			ns	
t_{pd}^*	Propagation delay time, latch enable to output		0.3		μs	

* Switching characteristics, $V_{BB} = 60V$, $T_A = 25^\circ C$.

Recommended Operating Conditions

Symbol	Parameter	Min	Nom	Max	Units	
V_{DD}	Supply voltage	4.5		5.5	V	
V_{BB}	Supply voltage	20		80	V	
V_{SS}	Supply voltage		0		V	
V_{IH}	High-level input voltage (for $V_{DD} = 5V$)	3.5		5.3	V	
V_{IL}	Low-level input voltage	-0.3		0.8	V	
I_{OH}	Continuous high-level Q output current	-25			mA	
f_{CLK}	Clock frequency			5	MHz	
T_A	Operating free-air temperature	Plastic		-40	+85	$^\circ C$

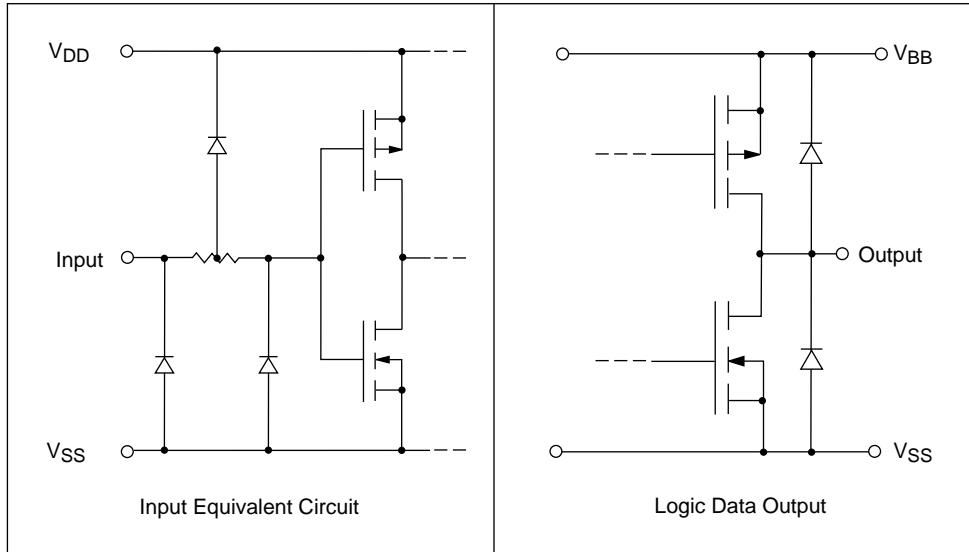
Note:

Power-up sequence should be the following:

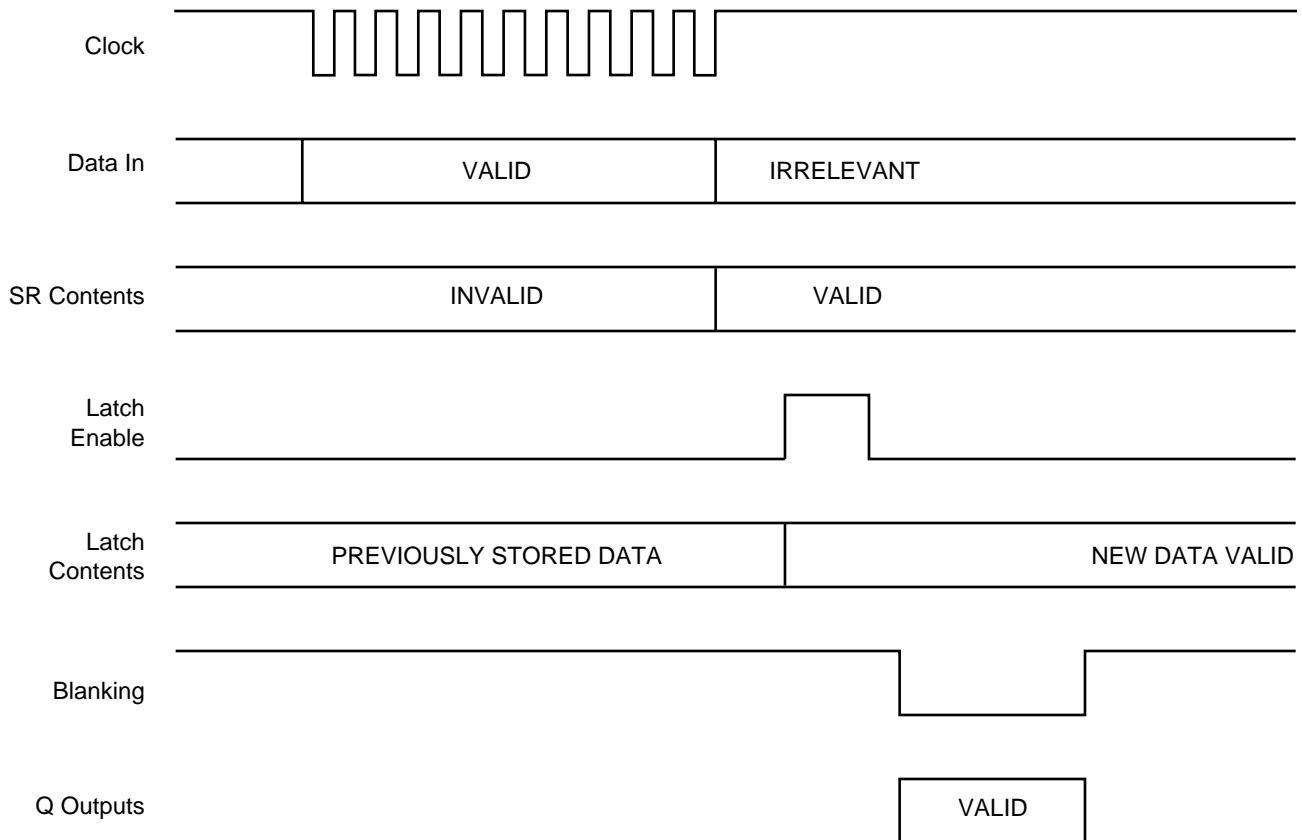
1. Connect ground V_{SS}
2. Apply V_{DD} .
3. Set all inputs (Data, CLK, Enable, etc.) to a known state.
4. Apply V_{BB} .
5. The V_{BB} should not drop below V_{DD} or float during operation.

Power-down sequence should be the reverse of the above.

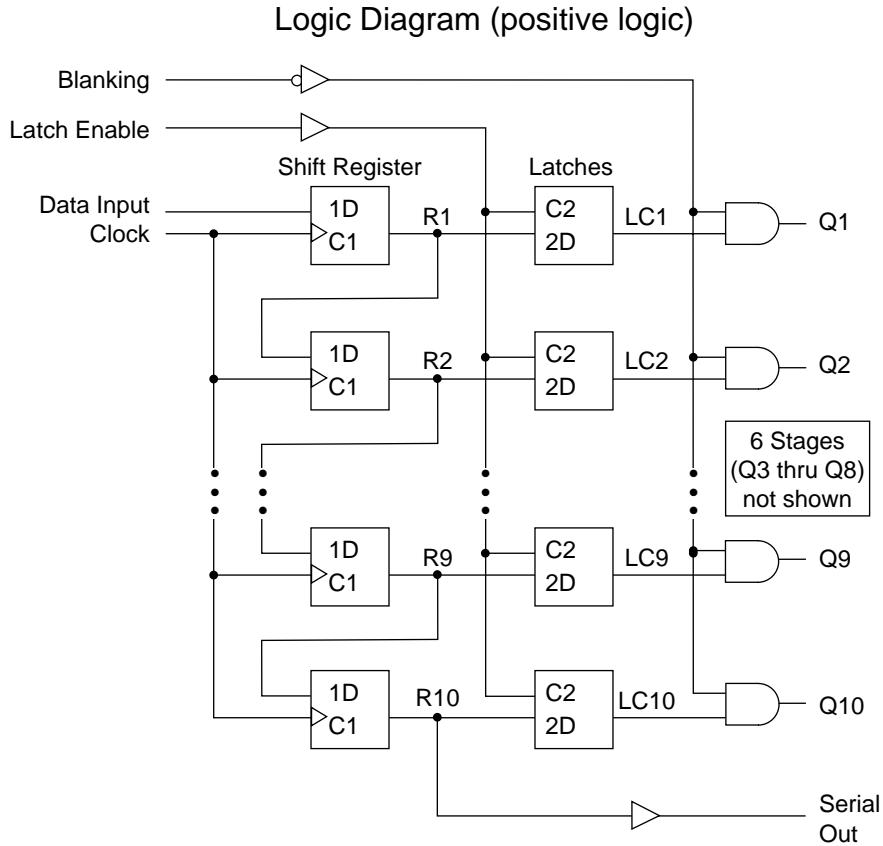
Input and Output Equivalent Circuits



Timing Diagram



Functional Block Diagram

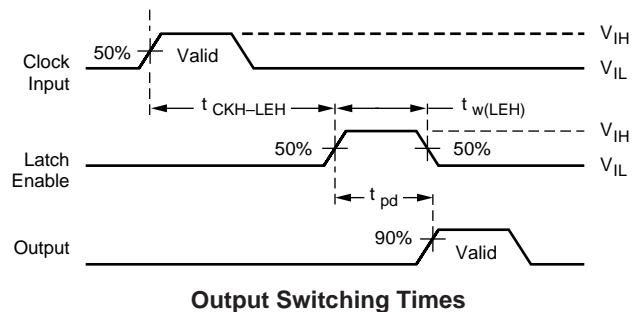
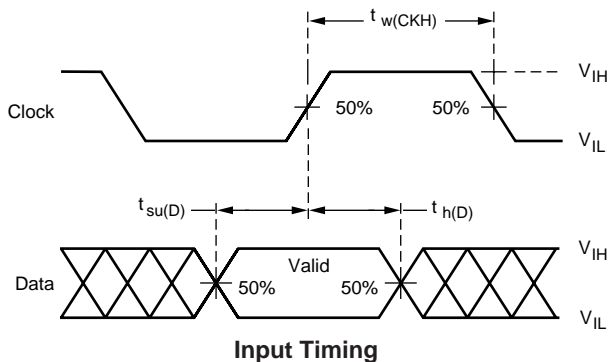


Function Table

Serial Data Input	Clock Input	Shift Register Contents						Serial Data Output	Strobe Input	Latch Contents						Blanking Input	Output Contents					
		I ₁	I ₂	I ₃	...	I _{N-1}	I _N			I ₁	I ₂	I ₃	...	I _{N-1}	I _N		I ₁	I ₂	I ₃	...	I _{N-1}	I _N
H		H	R ₁	R ₂	...	R _{N-2}	R _{N-1}	R _{N-1}														
L		L	R ₁	R ₂	...	R _{N-2}	R _{N-1}	R _{N-1}														
X		R ₁	R ₂	R ₃	...	R _{N-1}	R _N	R _N														
		X	X	X	...	X	X	X	L	R ₁	R ₂	R ₃	...	R _{N-1}	R _N							
		P ₁	P ₂	P ₃	...	P _{N-1}	P _N	P _N	H	P ₁	P ₂	P ₃	...	P _{N-1}	P _N	L						
										X	X	X	...	X	X	H	L	L	L	...	L	L

L = Low logic level
 H = High logic level
 X = Irrelevant
 P = Present state
 R = Previous state

Switching Waveforms



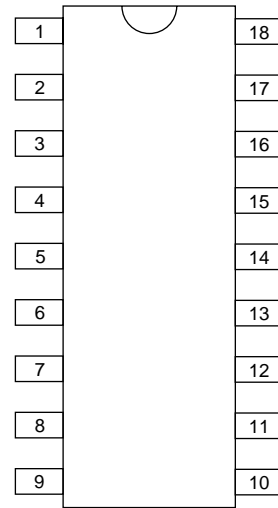
Pin Configurations

Package Outlines

HV6810

18-Pin DIP

Pin	Function	Pin	Function
1	Q8	10	Q3
2	Q7	11	Q2
3	Q6	12	Q1
4	Clock	13	Blanking
5	V _{SS}	14	Data in
6	V _{DD}	15	V _{BB}
7	LE (strobe)	16	Serial data out
8	Q5	17	Q10
9	Q4	18	Q9

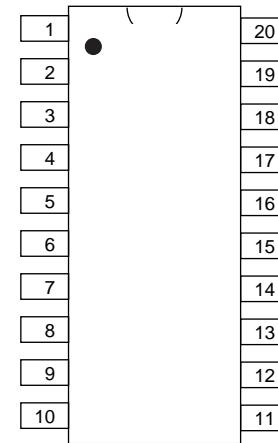


top view
18-pin DIP

HV6810

20-Pin SOW

Pin	Function	Pin	Function
1	Q8	11	Q3
2	Q7	12	Q2
3	Q6	13	Q1
4	Clock	14	Blanking
5	V _{SS}	15	Data in
6	N/C	16	V _{BB}
7	V _{DD}	17	Serial data out
8	LE (strobe)	18	N/C
9	Q5	19	Q10
10	Q4	20	Q9

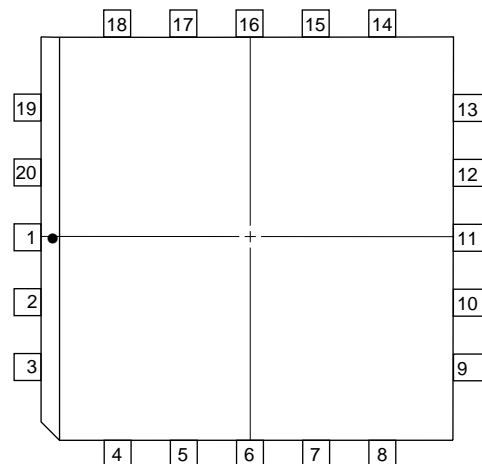


top view
SOW-20

HV6810

20-Pin Plastic PLCC

Pin	Function	Pin	Function
1	Q8	11	Q3
2	Q7	12	Q2
3	Q6	13	Q1
4	Clock	14	Blanking
5	N/C	15	Data In
6	V _{SS}	16	N/C
7	V _{DD}	17	V _{BB}
8	LE(Strobe)	18	Serial data out
9	Q5	19	Q10
10	Q4	20	Q9



top view
20-pin PLCC