



N-Channel Enhancement-Mode Vertical DMOS FETs

Ordering Information

BV _{DSS} / BV _{DGS}	R _{DS(ON)} (max)	V _{GS(th)} (max)	I _{D(ON)} (min)	Order Number / Package
				TO-92
350V	15Ω	1.8V	0.15A	VN3515L
400V	12Ω	1.8V	0.15A	VN4012L

Features

- Free from secondary breakdown
- Low power drive requirement
- Ease of paralleling
- Low C_{ISS} and fast switching speeds
- Excellent thermal stability
- Integral Source-Drain diode
- High input impedance and high gain
- Complementary N- and P-channel devices

Applications

- Motor controls
- Converters
- Amplifiers
- Telecom Switching
- Power supply circuits
- Drivers (relays, hammers, solenoids, lamps, memories, displays, bipolar transistors, etc.)

Absolute Maximum Ratings

Drain-to-Source Voltage	BV _{DSS}
Drain-to-Gate Voltage	BV _{DGS}
Gate-to-Source Voltage	± 20V
Operating and Storage Temperature	-55°C to +150°C
Soldering Temperature*	300°C

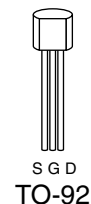
* Distance of 1.6 mm from case for 10 seconds.

Advanced DMOS Technology

These enhancement-mode (normally-off) transistors utilize a vertical DMOS structure and Supertex's well-proven silicon-gate manufacturing process. This combination produces devices with the power handling capabilities of bipolar transistors and with the high input impedance and positive temperature coefficient inherent in MOS devices. Characteristic of all MOS structures, these devices are free from thermal runaway and thermally-induced secondary breakdown.

Supertex's vertical DMOS FETs are ideally suited to a wide range of switching and amplifying applications where high breakdown voltage, high input impedance, low input capacitance, and fast switching speeds are desired.

Package Option



Note: See Package Outline section for dimensions.

Thermal Characteristics

Package	I_D (continuous)*	I_D (pulsed)	Power Dissipation @ $T_C = 25^\circ\text{C}$	θ_{jc} $^\circ\text{C/W}$	θ_{ja} $^\circ\text{C/W}$	I_{DR}^*	I_{DRM}
VN3515L (TO-92)	150mA	600mA	1W	125	170	150mA	600mA
VN4012L (TO-92)	160mA	650mA	1W	125	170	160mA	650mA

* I_D (continuous) is limited by max rated T_j .

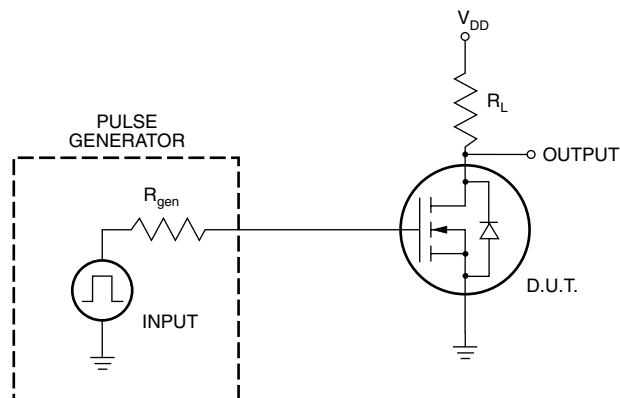
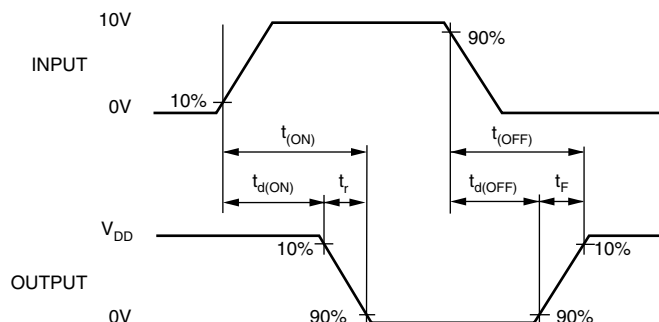
Electrical Characteristics (@ 25°C unless otherwise specified)

Symbol	Parameter	Min	Typ	Max	Unit	Conditions	
BV_{DSS}	Drain-to-Source Breakdown Voltage	VN3515	350		V	$V_{GS} = 0V, I_D = 100\mu\text{A}$	
		VN4012	400				
$V_{GS(th)}$	Gate Threshold Voltage	0.6		1.8	V	$V_{GS} = V_{DS}, I_D = 1\text{mA}$	
I_{GSS}	Gate Body Leakage			10	nA	$V_{GS} = \pm 20V, V_{DS} = 0V$	
I_{DSS}	Zero Gate Voltage Drain Current			1	μA	$V_{GS} = 0V, V_{DS} = 0.8$ Max Rating $T_A = 125^\circ\text{C}$	
				100			
$I_{D(ON)}$	ON-State Drain Current	0.15	0.3		A	$V_{DS} = 10V, V_{GS} = 4.5V$	
$R_{DS(ON)}$	Static Drain-to-Source ON-State Resistance	VN3515		9.5	15	Ω	$V_{GS} = 4.5V, I_D = 100\text{mA}$
					17		35
		VN4012		9.5	12		$V_{GS} = 4.5V, I_D = 100\text{mA}$
					17		30
G_{FS}	Forward Transconductance	125	350		$\text{m}\Omega$	$V_{DS} = 15V, I_D = 100\text{mA}$	
C_{ISS}	Input Capacitance			110	pF	$V_{DS} = 25V, V_{GS} = 0V$ $f = 1\text{MHz}$	
C_{OSS}	Common Source Output Capacitance			30			
C_{RSS}	Reverse Transfer Capacitance			10			
$t_{d(ON)}$	Turn-ON Delay Time			20	ns	$V_{DD} = 25V$ $I_D = 100\text{mA}$ $R_{GEN} = 25\Omega$	
t_r	Rise Time			20			
$t_{d(OFF)}$	Turn-OFF Delay Time			65			
t_f	Fall Time			65			
V_{SD}	Diode Forward Voltage Drop			1.2	V	$V_{GS} = 0V, I_{SD} = 160\text{mA}$	

Notes:

- All D.C. parameters 100% tested at 25°C unless otherwise stated. (Pulse test: $300\mu\text{s}$ pulse, 2% duty cycle.)
- All A.C. parameters sample tested.
- See TN2540 data sheet for characteristic curves.

Switching Waveforms and Test Circuit



11/12/01