

REVISIONS			
NO.	DATE	BY	DESCRIPTION
1	01/06/18	ACh	NEW RELEASE

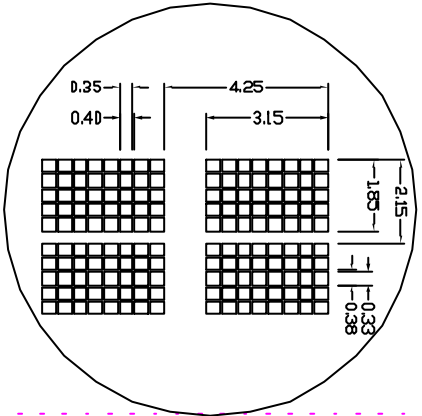
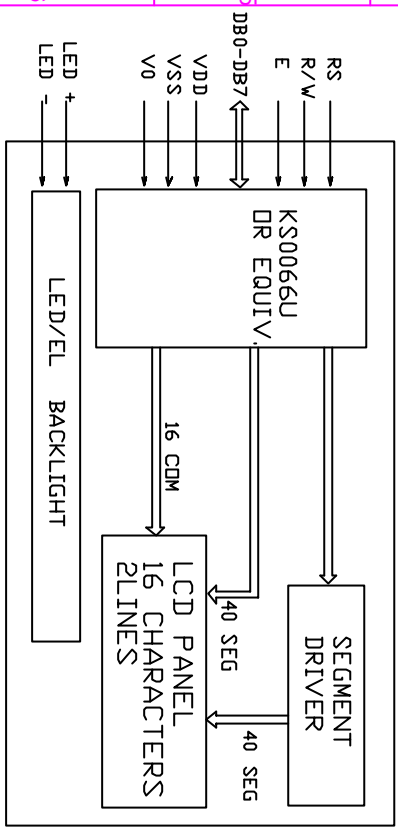
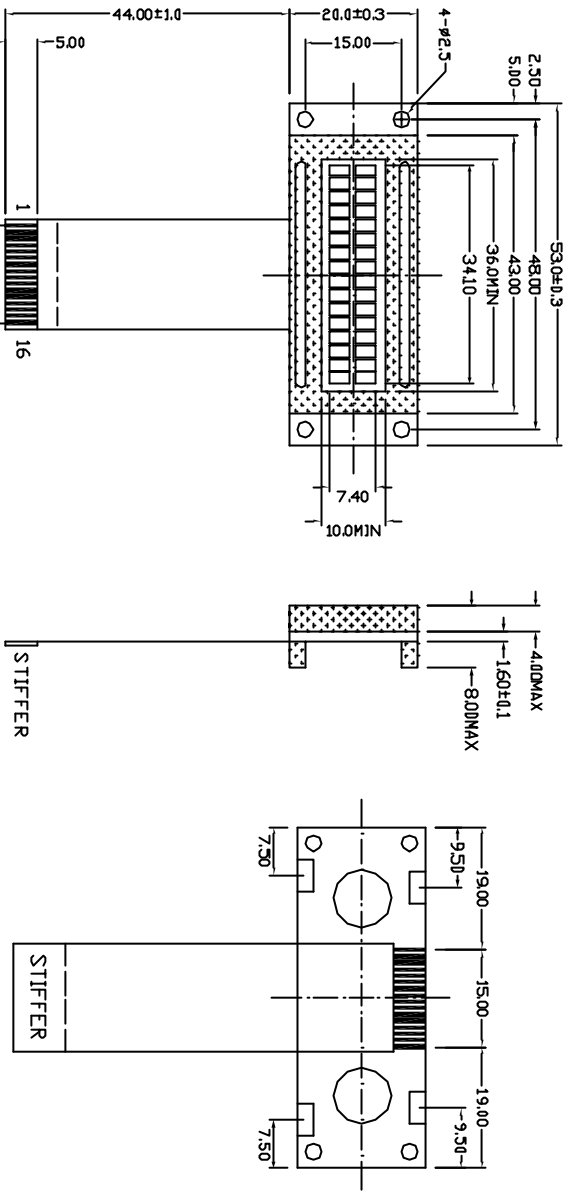
PINS ASSIGNMENT			
NO.	SYMBOL	DESCRIPTION	
1	VSS	POWER SUPPLY	
2	VDD	POWER SUPPLY	
3	V0	OPERATING VOLTAGE FOR LCD	
4	RS	DATA/INSTRUCTION SELECT	
5	R/W	READ/WRITE CONTROL	
6	E	ENABLE SIGNAL	
7-14	DB0-DB7	DATA BUS	
15	LED +	POWER SUPPLY FOR LED BACKLIGHT (+)	
16	LED -	POWER SUPPLY FOR LED BACKLIGHT (-)	

ABSOLUTE MAXIMUM RATING			
ITEM	SYMBOL	MIN	MAX
POWER SUPPL(Y) LOGIC	VDD-VSS	-0.3	7.0
POWER SUPPL(Y) LED DRV	VDD-V0	-0.3	13.5
INPUT VOLTAGE	VI	-0.3	VDD

ELECTRICAL CHARACTERISTICS (VDD=5.0±0.25V, 25°C)					
ITEM	SYMBOL	MIN	TYP	MAX	UNIT
VOLTAGE FOR LOGIC	VDD-VSS	4.75	5.0	5.25	V
SUPPLY CURRENT	IDD	-	1.3	2.2	mA
VOLTAGE FOR LCD	VDD-V0	-	4.8	-	V
INPUT VOLTAGE	VH	2.2	-	VDD	V
	VL	-0.3	-	0.6	V
OUTPUT VOLTAGE	OH	2.4	-	-	V
	OL	-	-	0.4	V

MECHANICAL SPECIFICATIONS		
ITEM	SPECIFICATION	UNIT
OVERALL SIZE	53.0W x 20.0H x 8.0	MM
VIEWING AREA	36.0W x 10.0H	MM
CHARACTERS	16 CHARACTERS x 2 LINES	MM
CHARACTER SIZE	1.85W x 3.15H	MM
CHARACTER PITCH	2.15W x 4.25H	MM

OPTIONS	
1. LCD TYPE:	Y/G STN/ GRAY STN/ TN
2. BACKLIGHT, WITHOUT BACKLIGHT, LED, EL	
3. COLOR OF BACKLIGHT:	Y/G/ BLUE/ WHITE
4. TEMPERATURE RANGE:	NORMAL(-40--50°C) EXTENDED(-20--70°C)
5. POWER SUPPLY:	5.0V/ 3.0V
6. VIEWING ANGLE:	6H/ 12H
7. CHARACTER TABLE:	JAPANESE/ EUROPEAN/ CYRILLIC



NT-C16211A

16 CHARACTERS X 2 LINES



ALL DIMENSIONS ARE IN MM. TOLERANCE IS +/-0.2 UNLESS OTHERWISE NOTED.

