

REVISIONS			
NO.	DATE	BY	DESCRIPTION
1	03/03/03	S.CH	NEW/RELEASE
2	10/05/03	S.CH	JUMPER DESCRIPTION

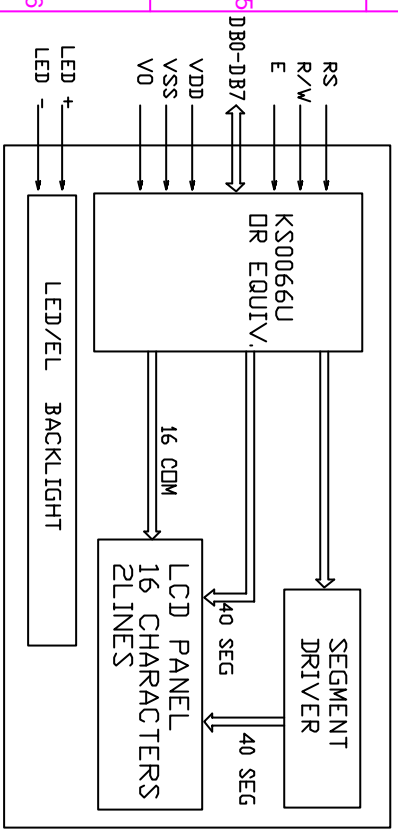
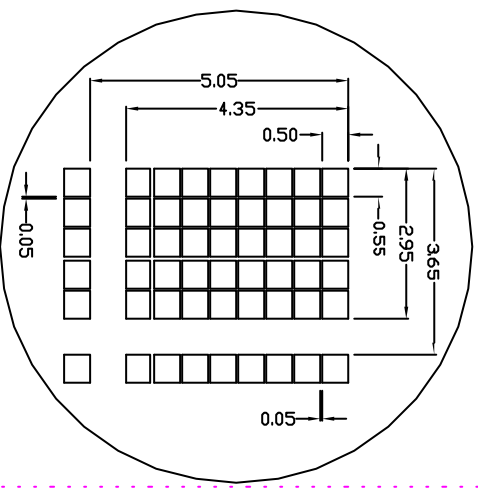
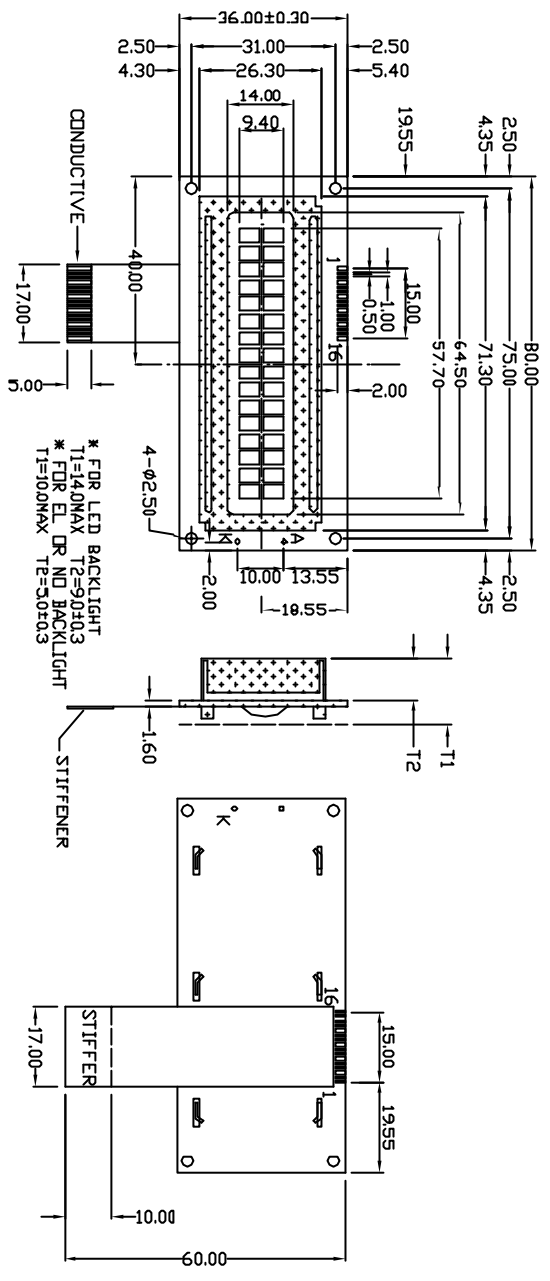
PINS ASSIGNMENT	
NO.	SYMBOL DESCRIPTION
1	VSS POWER SUPPLY
2	VDD POWER SUPPLY
3	V0 OPERATING VOLTAGE FOR LCD
4	RS DATA/INSTRUCTION SELECT
5	R/W READ/WRITE CONTROL
6	E ENABLE SIGNAL
7-14	DB0-DB7 DATA BUS
15	LED + POWER SUPPLY FOR LED BACKLIGHT (4)
16	LED - POWER SUPPLY FOR LED BACKLIGHT (4)

ABSOLUTE MAXIMUM RATING			
ITEM	SYMBOL	MIN	MAX
POWER SUPPLY (LOGIC)	VDD-VSS	-0.3	7.0
POWER SUPPLY (LCD DRV)	VDD-V0	-0.3	13.5
INPUT VOLTAGE	VI	-0.3	VDD

ELECTRICAL CHARACTERISTICS (VDD=5.0±0.25V, 25°C)					
ITEM	SYMBOL	MIN	TYP	MAX	UNIT
VOLTAGE FOR LOGIC	VDD-VSS	4.75	5.0	5.25	V
SUPPLY CURRENT	IDD	-	1.3	2.2	mA
INPUT VOLTAGE	VIH	2.2	-	VDD	V
	VIL	-0.3	-	0.6	V
OUTPUT VOLTAGE	VOH	2.4	-	-	V
	VOL	-	-	0.4	V

MECHANICAL SPECIFICATIONS		
ITEM	SPECIFICATION	UNIT
OVERALL SIZE	80.0V x 36.0H x 14.0T(10.0T)	MM
VIEWING AREA	64.5V x 14.0H	MM
CHARACTERS	16 CHARACTERS x 2 LINES	MM
CHARACTER SIZE	2.95V x 4.35H	MM
CHARACTER PITCH	3.65V x 5.35H	MM

SPECIFICATIONS	
1.	LCD TYPE: YELLOW/GREEN STN, REFLECTIVE
2.	BACKLIGHT: LED ARRAY
3.	COLOR OF BACKLIGHT: YELLOW/GREEN
4.	TEMPERATURE RANGE: NORMAL(-50C)
5.	POWER SUPPLY: 5.0V (J1 SHORT, J2 AND J3 OPEN) 3.0V (J1 OPEN, J2 AND J3 SHORT)
6.	VIEWING ANGLE: 64°
7.	CHARACTER TABLE: ENGLISH/JAPANESE/



NT-C16212

16 CHARACTERS X 2 LINES



ALL DIMENSIONS ARE IN MM. TOLERANCE IS +/-0.2 UNLESS OTHERWISE NOTED.

