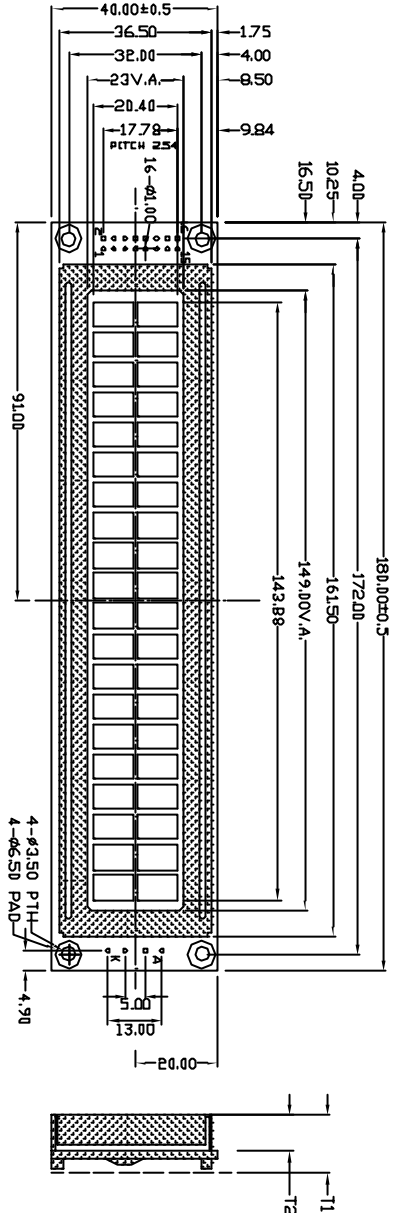
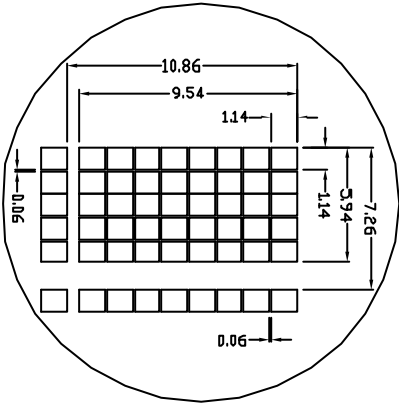
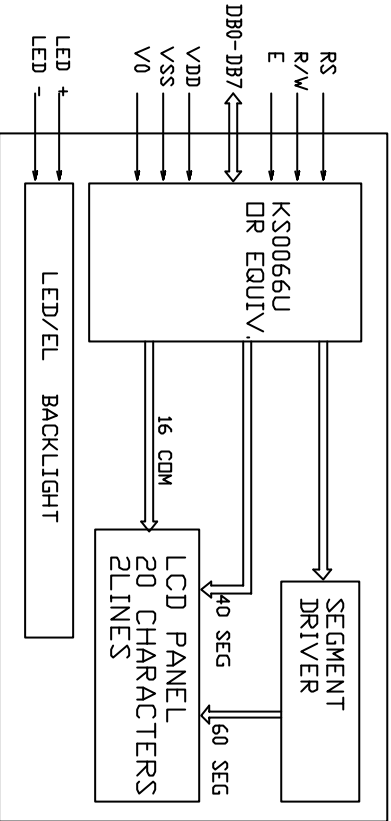


REVISIONS				DESCRIPTION
NO.	DATE	BY	ACH	NEW/RELEASE
1	01/06/18			



\* FOR LED BACKLIGHT  
 T1=140MAX T2=9.0±0.3  
 \* FOR EL DR NO BACKLIGHT  
 T1=100MAX T2=5.0±0.3



PINS ASSIGNMENT			
NO.	SYMBOL	DESCRIPTION	
1	VSS	POWER SUPPLY	
2	VDD	POWER SUPPLY	
3	V0	OPERATING VOLTAGE FOR LCD	
4	RS	DATA/INSTRUCTION SELECT	
5	R/W	READ/WRITE CONTROL	
6	E	ENABLE SIGNAL	
7--14	DB0--DB7	DATA BUS	
15	LED +	POWER SUPPLY FOR LED BACKLIGHT (+)	
16	LED -	POWER SUPPLY FOR LED BACKLIGHT (-)	

ABSOLUTE MAXIMUM RATING			
ITEM	SYMBOL	MIN	MAX
POWER SUPPLY(VDD)	VDD-VSS	-0.3	7.0
POWER SUPPLY(LCD DRV)	VDD-V0	-0.3	13.5
INPUT VOLTAGE	VI	-0.3	VDD

ELECTRICAL CHARACTERISTICS (VDD=5.0±0.25V, 25°C)				
ITEM	SYMBOL	MIN	TYP	MAX
VOLTAGE FOR LOGIC	VDD-VSS	4.75	5.0	5.25
SUPPLY CURRENT	IDD	-	2.0	3.5
VOLTAGE FOR LCD	VDD-V0	-	4.6	-
INPUT VOLTAGE	VIL	-0.3	-	0.6
INPUT VOLTAGE	VIH	-	-	0.6
OUTPUT VOLTAGE	VOH	2.4	-	-
OUTPUT VOLTAGE	VOL	-	-	0.4

MECHANICAL SPECIFICATIONS		
ITEM	SPECIFICATION	UNIT
OVERALL SIZE	180.0W x 40.0H x 14.0T(±0.07)	MM
VIEWING AREA	149.0W x 23.0H	MM
CHARACTERS	20 CHARACTERS x 2 LINES	MM
CHARACTER SIZE	5.94W x 9.54H	MM
CHARACTER PITCH	7.26W x 10.86H	MM

- OPTIONS
- LCD TYPE: Y/G STN, GRAY STN, TN
  - BACKLIGHT: WITHOUT BACKLIGHT, LED, EL
  - COLOR OF BACKLIGHT: Y/G, BLUE, WHITE
  - TEMPERATURE RANGE: NORMAL(0--50°C)  
EXTENDED(-20--70°C)
  - POWER SUPPLY: 5.0V, 3.0V
  - VIEWING ANGLE: 6H, 12H
  - CHARACTER TABLE: JAPANESE, EUROPEAN, CYRILLIC

NT-C2023A

20 CHARACTERS X 2 LINES



ALL DIMENSIONS ARE IN MM. TOLERANCE IS +/-0.2 UNLESS OTHERWISE NOTED.

