

PINS ASSIGNMENT	
NO.	SYMBOL DESCRIPTION
1-8	DB7-DB0 DATA BUS
9	E1 ENABLE SIGNAL FOR CONTROLLER 1
10	RS READ/WRITE CONTROL
11	RS DATA/INSTRUCTION SELECT
12	V0 OPERATING VOLTAGE FOR LCD
13	VSS POWER SUPPLY
14	VDD POWER SUPPLY
15	E2 ENABLE SIGNAL FOR CONTROLLER 2
16	NC NO CONNECT
17	LED + POWER SUPPLY FOR LED BACKLIGHT (+)
18	LED - POWER SUPPLY FOR LED BACKLIGHT (-)

ABSOLUTE MAXIMUM RATING			
ITEM	SYMBOL	MIN	MAX UNIT
POWER SUPPLY (LOGIC)	VDD-VSS	-0.3	7.0 V
POWER SUPPLY (LCD DRV.)	VDD-V0	-0.3	13.5 V
INPUT VOLTAGE	VI	-0.3	VDD V

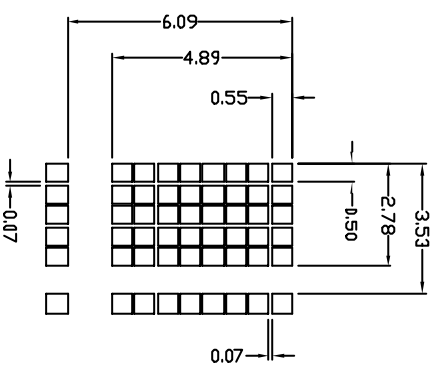
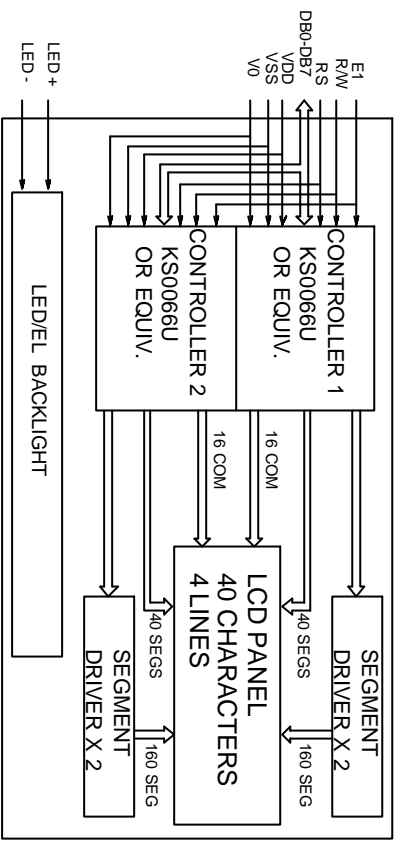
ELECTRICAL CHARACTERISTICS (VDD=5.0±0.25V, 25°C)				
ITEM	SYMBOL	MIN	TYP	MAX UNIT
VOLTAGE FOR LOGIC	VDD-VSS	4.75	5.0	5.25 V
SUPPLY CURRENT	IDD	-	6.0	7.5 mA
VOLTAGE FOR LCD	VDD-V0	4.7	4.9	5.1 V
INPUT VOLTAGE				
	H VIH	2.2	-	VDD V
	L VIL	-0.3	-	0.6 V
OUTPUT VOLTAGE				
	H VOH	2.4	-	V
	L VOL	-	-	0.4 V

MECHANICAL SPECIFICATIONS		
ITEM	SPECIFICATION	UNIT
OVERALL SIZE	190.0W x 54.0H x 14.0T(10.0T)	MM
VIEWING AREA	147.0W x 29.5H	MM
CHARACTERS	40 CHARACTERS X 4 LINES	MM
CHARACTER SIZE	2.78W x 4.89H	MM
CHARACTER PITCH	3.53W x 6.09H	MM

OPTIONS	
1. LOD TYPE:	Y/G STN; GRAY STN; TN
2. BACKLIGHT:	WITHOUT BACKLIGHT; LED; EL
3. COLOR OF BACKLIGHT:	Y/G; BLUE; WHITE
4. TEMPERATURE RANGE:	NORMAL(0-50°C) EXTENDED(-20-70°C)
5. POWER SUPPLY:	5.0V; 3.0V
6. VIEWING ANGLE:	6H; 12H
7. CHARACTER TABLE:	JAPANESE; EUROPEAN; CYRILLIC

REVISIONS			
NO.	DATE	BY	DESCRIPTION
1	01/06/18	A.CH	NEW RELEASE

* FOR LED BACKLIGHT
 T1=14.0MAX T2=9.0±0.3
 * FOR EL OR NO BACKLIGHT
 T1=10.0MAX T2=5.0±0.3



NT-C4041A

40 CHARACTERS X 4 LINES



ALL DIMENSIONS ARE IN MM. TOLERANCE IS +/-0.2 UNLESS OTHERWISE NOTED.

