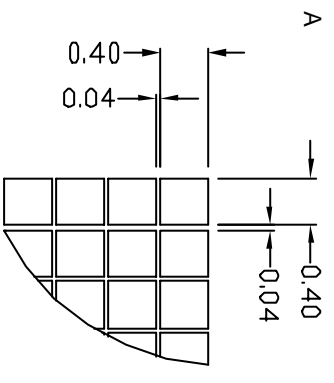
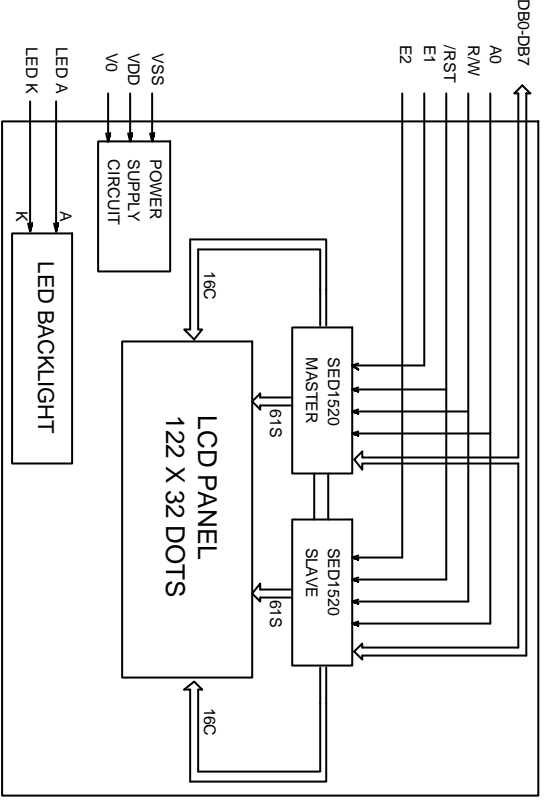
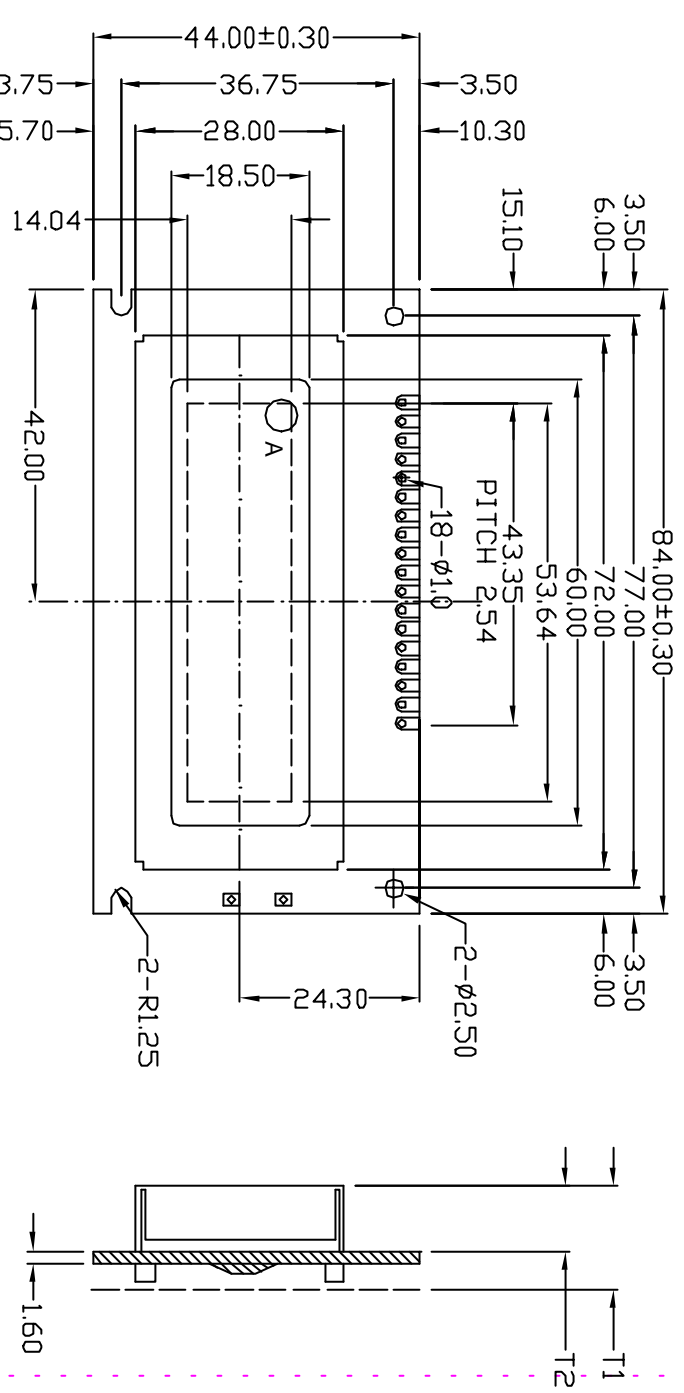


REVISIONS			
NO.	DATE	BY	DESCRIPTION
1	01/06/18	A.CH	NEW RELEASE



\* FOR LED BACKLIGHT  
 T1=14.0MMAX T2=9.0±0.3  
 \* FOR EL OR NO BACKLIGHT  
 T1=11.0MMAX T2=6.0±0.3

PINS ASSIGNMENT			
NO.	SYMBOL	DESCRIPTION	
1	VSS	GROUND	
2	VDD	POWER SUPPLY FOR LOGIC AND LCD	
3	V0	OPERATING VOLTAGE FOR LCD	
4	A0	DATAINSTRUCTION SELECT	
5	E1	READWRITE ENABLE SIGNAL(MASTER)	
6	E2	READWRITE ENABLE SIGNAL(SLAVE)	
7	R/W	READWRITE SELECT	
8-15	DB0-DB7	RESET SIGNAL(LOW EFFECTIVE)	
16	/RST	RESET SIGNAL FOR LED BACKLIGHT(+)	
17	A	POWER SUPPLY FOR LED BACKLIGHT(+)	
18	K	POWER SUPPLY FOR LED BACKLIGHT(-)	

ABSOLUTE MAXIMUM RATING					
ITEM	SYMBOL	MIN	MAX	UNIT	
POWER SUPPLY(LOGIC)	VDD-VSS	0	6.5	V	
POWER SUPPLY(LCD DRV.)	VDD-V0	0	10.0	V	
INPUT VOLTAGE	VI	VI	VDD	V	

ELECTRICAL CHARACTERISTICS					
ITEM	SYMBOL	MIN	TYP	MAX	UNIT
VOLTAGE FOR LOGIC	VDD-VSS	4.75	5.0	5.25	V
SUPPLY CURRENT	IDD	-	300	500	µA
LCD OPERATING VOLTAGE	0C	-	6.2	-	V
	25C	-	5.8	-	V
	40C	-	5.6	-	V
INPUT VOLTAGE	H	V <sub>IH</sub>	0.8VDD	-	V
	L	V <sub>IL</sub>	0	0.2VDD	V

MECHANICAL SPECIFICATIONS			
ITEM	SPECIFICATION		UNIT
OVERALL SIZE	94.0W x 44.0H x 14.0T(10.0T)		MM
VIEWING AREA	60.0W x 18.5H		MM
DOT NUMBER	122 x 32		DOTS
DOT SIZE	0.40W x 0.40H		MM
DOT PITCH	0.44W x 0.44H		MM

OPTIONS	
1. LCD TYPE:	Y/G STN; GRAY STN;
2. BACKLIGHT:	WITHOUT BACKLIGHT; LED; EL
3. COLOR OF BACKLIGHT:	Y/G; BLUE; WHITE
4. TEMPERATURE RANGE:	NORMAL(0--50C); EXTENDED(-20--70C)
5. POWER SUPPLY:	ON BOARD DC/DC(SINGLE 5.0V); DUAL POWER SUPPLY(5.0V & -5.0V)
6. VIEWING ANGLE:	6H; 12H

NT-G122322A

122 X 32 DOTS GRAPHIC LCM



ALL DIMENSIONS ARE IN MM. TOLERANCE IS +/-0.2 UNLESS OTHERWISE NOTED.

