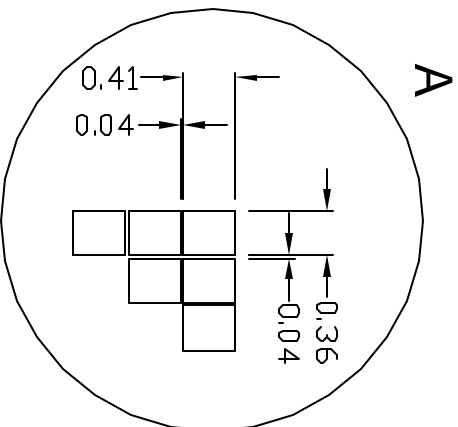
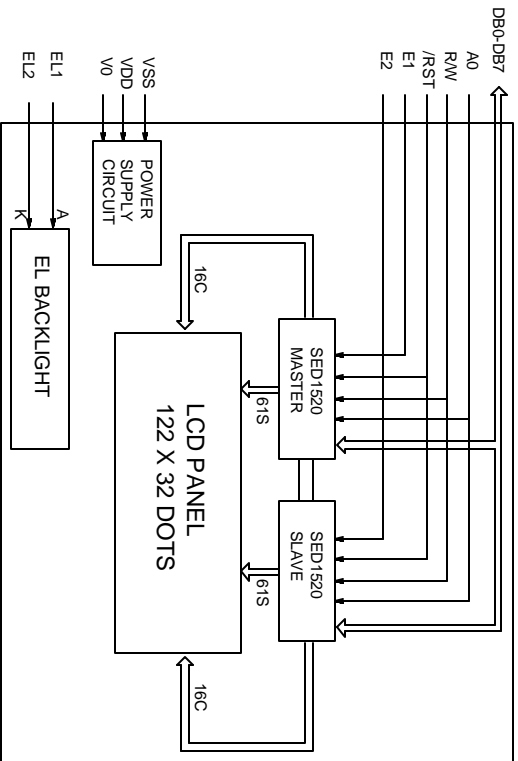
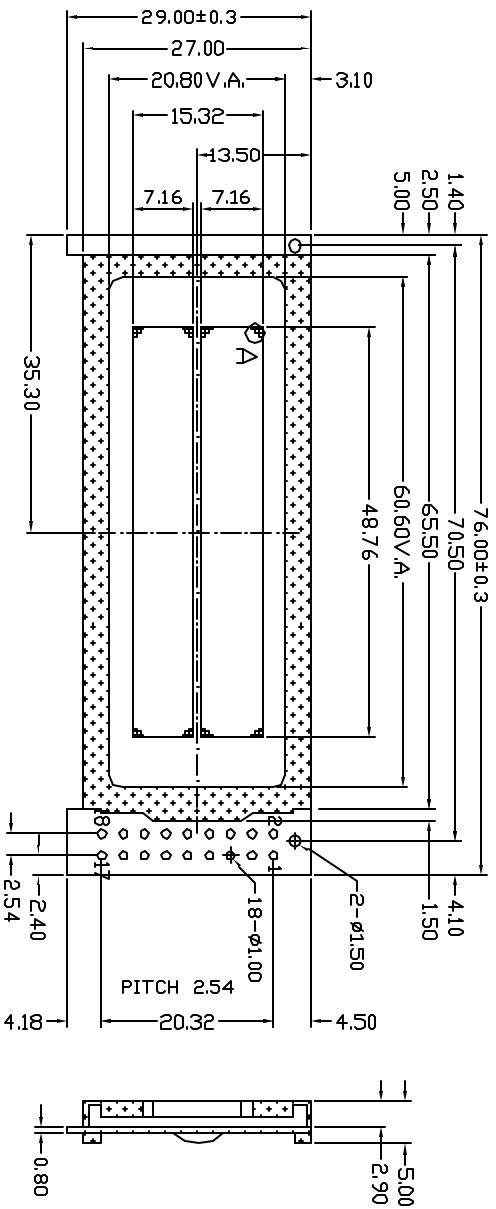


REVISIONS			
NO.	DATE	BY	DESCRIPTION
1	01/06/18	A.CH	NEW RELEASE



PINS ASSIGNMENT	
NO.	SYMBOL DESCRIPTION
1	VDD POWER SUPPLY FOR LOGIC
2	VSS GROUND
3	V0 OPERATING VOLTAGE FOR LCD
4	/RST RESET SIGNAL (LOW EFFECTIVE)
5	E1 READ/WRITE ENABLE SIGNAL (MASTER)
6	E2 READ/WRITE ENABLE SIGNAL (SLAVE)
7	R/W READ/WRITE SELECT
8	A0 DATA/INSTRUCTION SELECT
9-16	DB0-DB7 DATA BUS
17	EL1 POWER SUPPLY FOR BACKLIGHT
18	EL2 POWER SUPPLY FOR BACKLIGHT

ABSOLUTE MAXIMUM RATING			
ITEM	SYMBOL	MIN	MAX UNIT
POWER SUPPLY (LOGIC)	VDD-VSS	0	6.5 V
POWER SUPPLY (LCD DRV.)	VDD-V0	0	10.0 V
INPUT VOLTAGE	V <sub>I</sub>	V <sub>I</sub>	VDD V

ELECTRICAL CHARACTERISTICS				
ITEM	SYMBOL	MIN	TYP	MAX UNIT
VOLTAGE FOR LOGIC	VDD-VSS	4.75	5.0	5.25 V
SUPPLY CURRENT	IDD	-	300	500 μA
LCD OPERATING VOLTAGE	V0	0C	5.3	- V
	25C	-	5.0	- V
	40C	-	4.8	- V
INPUT VOLTAGE	H	V <sub>IH</sub>	0.8VDD	VDD V
	L	V <sub>IL</sub>	0	0.2VDD V

MECHANICAL SPECIFICATIONS		
ITEM	SPECIFICATION	UNIT
OVERALL SIZE	76.0W X 29.0H X 6.0T	MM
VIEWING AREA	60.4W X 20.6H	MM
DOT NUMBER	122 X 32	DOTS
DOT SIZE	0.36W X 0.41H	MM
DOT PITCH	0.40W X 0.45H	MM

OPTIONS	
1.	LCD TYPE: Y/G STN.: GRAY STN.;
2.	BACKLIGHT: WITHOUT BACKLIGHT; EL
3.	COLOR OF BACKLIGHT: Y/G: BLUE; WHITE
4.	TEMPERATURE RANGE: NORMAL(0~50C); EXTENDED(20~70C)
5.	VIEWING ANGLE: 6H: 12H

NT-G122324A

122 X 32 DOTS GRAPHIC LCM



ALL DIMENSIONS ARE IN MM. TOLERANCE IS +/-0.2 UNLESS OTHERWISE NOTED.

