

REVISIONS			
NO.	DATE	BY	DESCRIPTION
1	01/06/18	ACH	NEW RELEASE

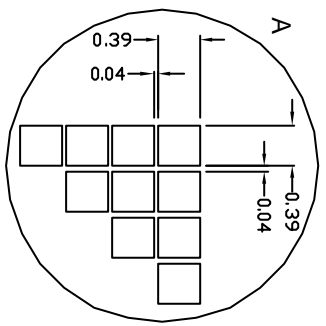
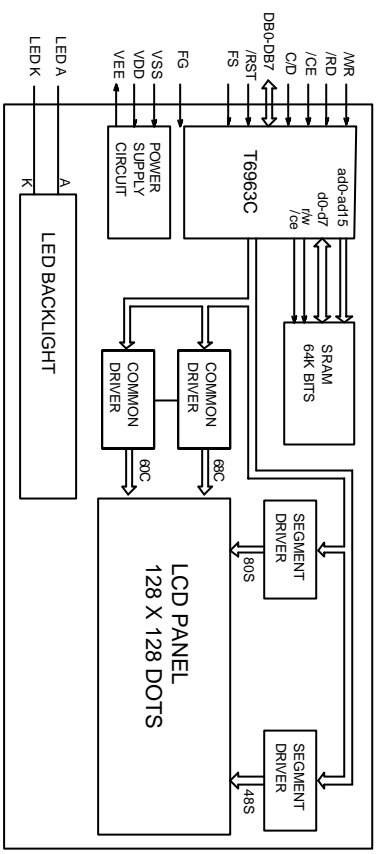
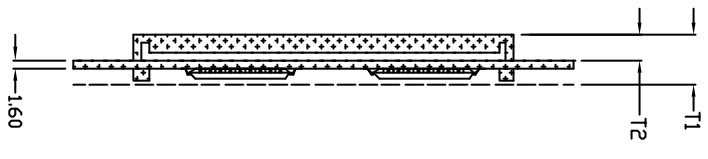
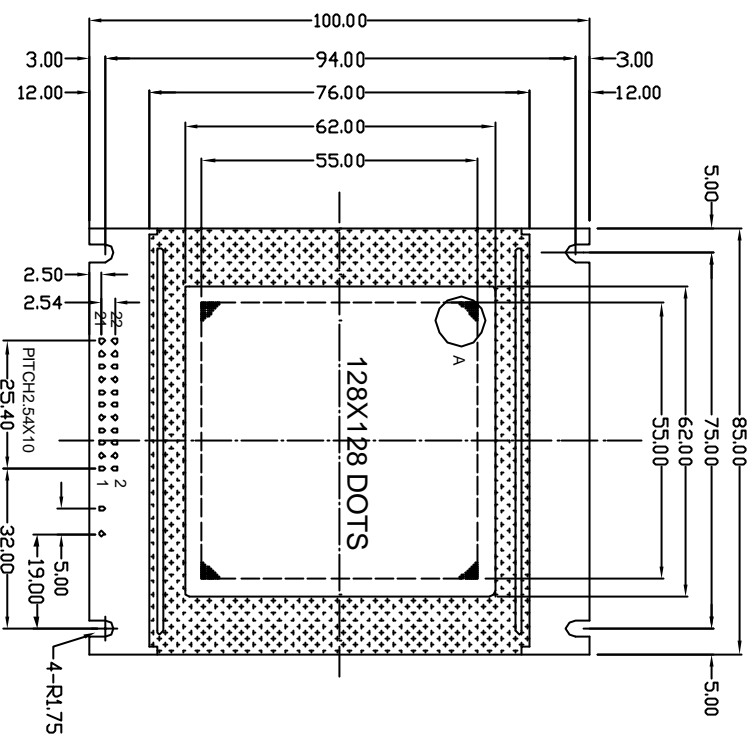
PINS ASSIGNMENT			
NO.	SYMBOL	DESCRIPTION	UNIT
1	FG	FRAME GROUND	
2	VSS	GROUND	
3	VDD	POWER SUPPLY FOR LOGIC AND LCD	
4	V0	OPERATING VOLTAGE FOR LCD	
5	/MR	DATA WRITE	
6	/RD	DATA READ	
7	/CE	CHIP ENABLE FOR T6963C	
8	G/D	COMMAND/DATA SELECTION	
9	/NC	NO CONNECT	
10	/RST	RESET T6963C (LOW EFFECTIVE)	
11-18	DB0-DB7	DATA BUS	
19	FS	FONT SELECTION (L8X8, H8X8)	
20	VEE	NEGATIVE VOLTAGE INPUT/OUTPUT	
21	BLA	POWER SUPPLY FOR BACKLIGHT (+)	
22	BLK	POWER SUPPLY FOR BACKLIGHT (-)	

ABSOLUTE MAXIMUM RATING			
ITEM	SYMBOL	MIN	MAX
POWER SUPPLY (LOGIC)	VDD-VSS	0	6.5
POWER SUPPLY (LCD DRV.)	VDD-V0	0	18.0
INPUT VOLTAGE	V _I	V _I	VDD

ELECTRICAL CHARACTERISTICS			
ITEM	SYMBOL	MIN	MAX
VOLTAGE FOR LOGIC	VDD-VSS	4.75	5.0
SUPPLY CURRENT	IDD	-	12.0
LCD OPERATING VOLTAGE	VDD-V0	-	16.0
INPUT VOLTAGE	V _I	0.7VDD	14.0
INPUT VOLTAGE	V _L	0	0.3VDD

MECHANICAL SPECIFICATIONS			
ITEM	SPECIFICATION	UNIT	
OVERALL SIZE	85.00 X 100.00 X 14.00(1.10T)	MM	
VIEWING AREA	62.00 X 62.00	MM	
DOT NUMBER	128 X 128	DOTS	
DOT SIZE	0.390 X 0.39H	MM	
DOT PITCH	0.43W X 0.43H	MM	

OPTIONS	
1. LCD TYPE:	Y/G STN., GRAY STN.,
2. BACKLIGHT:	WITHOUT BACKLIGHT, LED, EL,
3. COLOR OF BACKLIGHT:	Y/G, BLUE, WHITE
4. TEMPERATURE RANGE:	NORMAL(0~50C)
5. POWER SUPPLY:	ON BOARD DC/DC(SINGLE 5.0V), DUAL POWER SUPPLY(5.0V & -10.0V)
6. VIEWING ANGLE:	6H: 12H



* FOR LED BACKLIGHT
 T1=14.0MMX T2=9.0MMX
 * FOR EL OR NO BACKLIGHT
 T1=11.0MMX T2=6.0MMX

NT-G1281281A

128 X 128 DOTS GRAPHIC LCM



ALL DIMENSIONS ARE IN MM. TOLERANCE IS +/-0.2 UNLESS OTHERWISE NOTED.

