

REVISIONS			
NO.	DATE	BY	DESCRIPTION
1	01/06/18	A.CH	NEW RELEASE

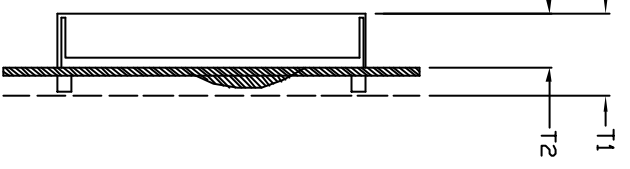
PINS ASSIGNMENT	
NO.	SYMBOL DESCRIPTION
1	VSS GROUND
2	VDD POWER SUPPLY FOR LOGIC AND LCD
3	V0 OPERATING VOLTAGE FOR LCD
4	RS DATA/INSTRUCTION SELECT
5	RW READWRITE SELECT
6	E ENABLE SIGNAL
7-14	DB0-DB7 DATA BUS
15	CS1 CHIP SELECT OF IC1 (HIGH EFFECTIVE)
16	CS2 CHIP SELECT OF IC2 (HIGH EFFECTIVE)
17	/RST RESET SIGNAL(LOW EFFECTIVE)
18	VEE NEGATIVE VOLTAGE OUTPUT(PUP)
19	A POWER SUPPLY FOR LED BACKLIGHT(+)
20	K POWER SUPPLY FOR LED BACKLIGHT(-)

ABSOLUTE MAXIMUM RATING			
ITEM	SYMBOL	MIN	MAX
POWER SUPPLY(LOGIC)	VDD-VSS	0	6.5
POWER SUPPLY(LCD DRV.)	VDD-V0	0	18.0
INPUT VOLTAGE	VI	VI	VDD

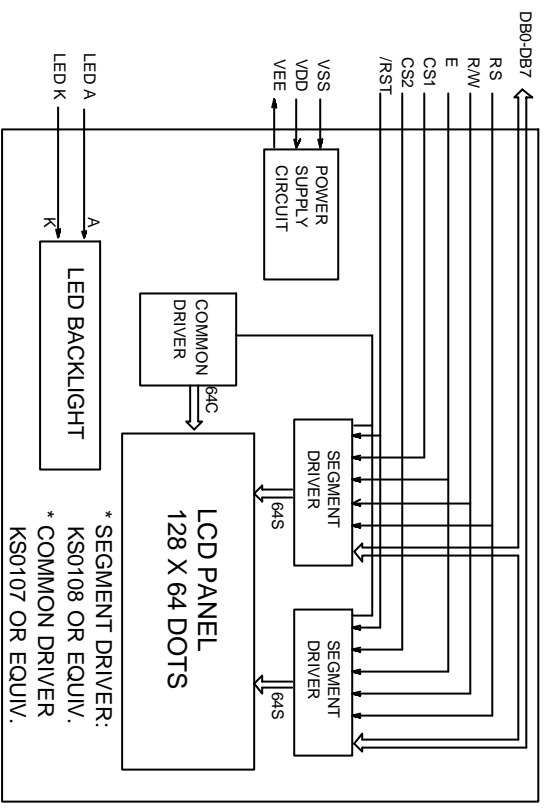
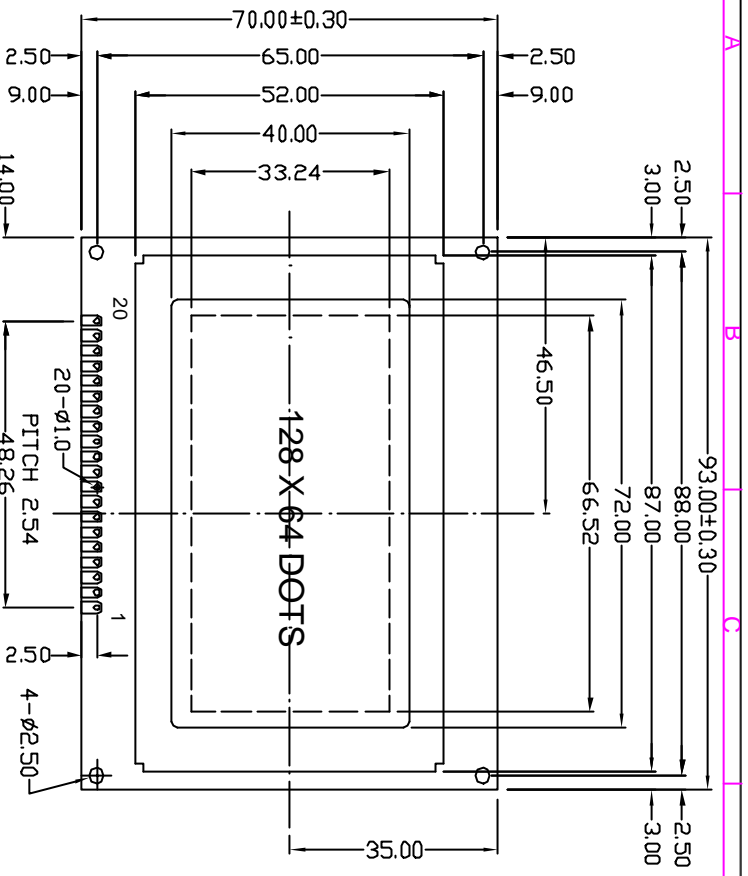
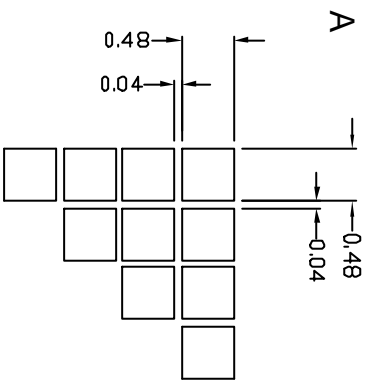
ELECTRICAL CHARACTERISTICS					
ITEM	SYMBOL	MIN	TYP	MAX	UNIT
VOLTAGE FOR LOGIC	VDD-VSS	4.75	5.0	5.25	V
SUPPLY CURRENT	IDD	-	8.7	-	mA
	IDD	-	12.5	-	V
LCD OPERATING VOLTAGE	25C VDD-V0	-	11.5	-	V
	40C	-	10.5	-	V
INPUT VOLTAGE	H	VH	0.7VDD	-	V
	L	VIL	0	0.3VDD	V

MECHANICAL SPECIFICATIONS		
ITEM	SPECIFICATION	UNIT
OVERALL SIZE	93.0W x 70.0H x 14.0T(11.0T)	MM
VIEWING AREA	72.0W x 40.0H	MM
DOT NUMBER	128 x 64	DOTS
DOT SIZE	0.48W x 0.48H	MM
DOT PITCH	0.52W x 0.52H	MM

OPTIONS	
1.	LCD TYPE: Y/G STN.; GRAY STN.; BW FSTN
2.	BACKLIGHT: WITHOUT BACKLIGHT; LED; EL
3.	COLOR OF BACKLIGHT: Y/G; BLUE; WHITE
4.	TEMPERATURE RANGE: NORMAL(0--50C); EXTENDED(-20--70C)
5.	POWER SUPPLY: ON BOARD DC/DC(SINGLE 5.0V); DUAL POWER SUPPLY(5.0V & -10.0V)
6.	VIEWING ANGLE: 6H; 12H



\* FOR LED BACKLIGHT  
 T1=14.0MAX T2=9.0±0.3  
 \* FOR EL OR NO BACKLIGHT  
 T1=11.0MAX T2=6.0±0.3



\* SEGMENT DRIVER:  
 KS0108 OR EQUIV.  
 \* COMMON DRIVER  
 KS0107 OR EQUIV.

NT-G128641A

128 X 64 DOTS GRAPHIC LCM



ALL DIMENSIONS ARE IN MM. TOLERANCE IS +/-0.2 UNLESS OTHERWISE NOTED.

