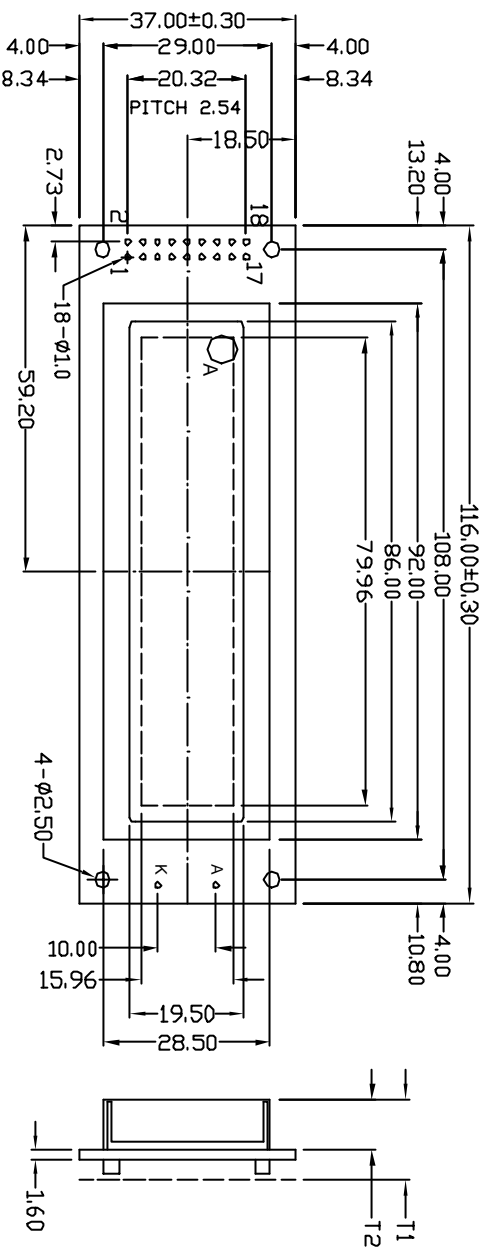
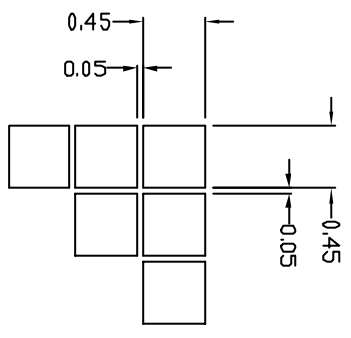
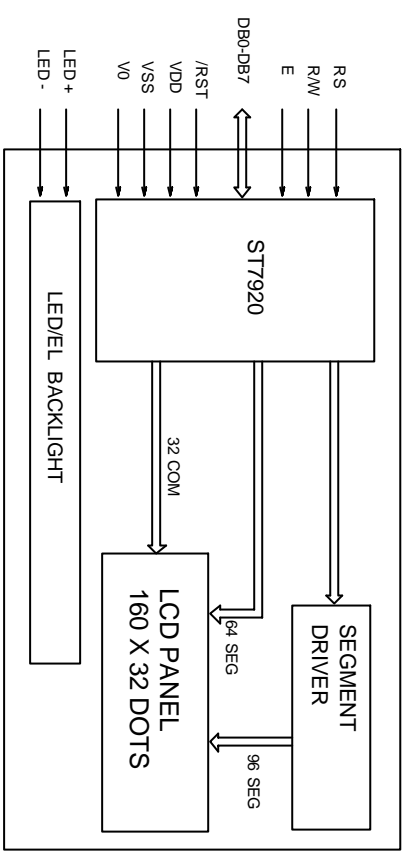


REVISIONS			
NO.	DATE	BY	DESCRIPTION
1	01/06/18	A.CH	NEW RELEASE



* FOR LED BACKLIGHT
 T1=14.0MAX T2=9.0±0.3
 * FOR EL OR NO BACKLIGHT
 T1=10.0MAX T2=5.0±0.3



PINS ASSIGNMENT			
NO.	SYMBOL	DESCRIPTION	
1	VSS	POWER SUPPLY	
2	VDD	POWER SUPPLY	
3	V0	OPERATING VOLTAGE FOR LCD	
4	RS	DATA/INSTRUCTION SELECT	
5	R/W	READ/WRITE CONTROL	
6	E	ENABLE SIGNAL	
7-14	DB0-DB7	DATA BUS	
15	/RST	RESET SIGNAL	
16	NC	NO CONNECT	
17	LED +	POWER SUPPLY FOR LED BACKLIGHT (+)	
18	LED -	POWER SUPPLY FOR LED BACKLIGHT (-)	

ABSOLUTE MAXIMUM RATING				
ITEM	SYMBOL	MIN	MAX	UNIT
POWER SUPPLY (LOGIC)	VDD-VSS	-0.3	5.5	V
POWER SUPPLY (LCD DRV)	VLCD	-0.3	7.0	V
INPUT VOLTAGE	VI	-0.3	VDD	V

ELECTRICAL CHARACTERISTICS (VDD=5.0±0.25V, 25°C)					
ITEM	SYMBOL	MIN	TYP	MAX	UNIT
VOLTAGE FOR LOGIC	VDD-VSS	4.75	5.0	5.25	V
SUPPLY CURRENT	IDD	-	0.6	0.8	mA
VOLTAGE FOR LCD	V0-VSS	2.8	3.0	3.2	V
INPUT VOLTAGE	VIL	H	2.2	-	VDD
		L	-0.3	-	0.6
OUTPUT VOLTAGE	VOL	H	2.4	-	V
		L	-	-	0.4

MECHANICAL SPECIFICATIONS		
ITEM	SPECIFICATION	UNIT
OVERALL SIZE	116.0W x 37.0H x 14.0T (10.0T)	MM
VIEWING AREA	83.0W x 18.6H	MM
DOTS	160 X 32	
DOT SIZE	0.45W x 0.45H	MM
DOT PITCH	0.50W x 0.50H	MM

OPTIONS	
1. LCD TYPE:	Y/G STN.; GRAY STN.
2. BACKLIGHT:	WITHOUT BACKLIGHT; LED; EL
3. COLOR OF BACKLIGHT:	Y/G; BLUE; WHITE
4. TEMPERATURE RANGE:	NORMAL(0~50C) EXTENDED(-20~70C)
5. POWER SUPPLY:	5.0V; 3.0V
6. VIEWING ANGLE:	6H; 12H
7. CHARACTER TABLE:	CHINESE FONTS (GB2312)

NT-G160321A

160 X 32 DOTS GRAPHICS LCM



ALL DIMENSIONS ARE IN MM. TOLERANCE IS +/-0.2 UNLESS OTHERWISE NOTED.

