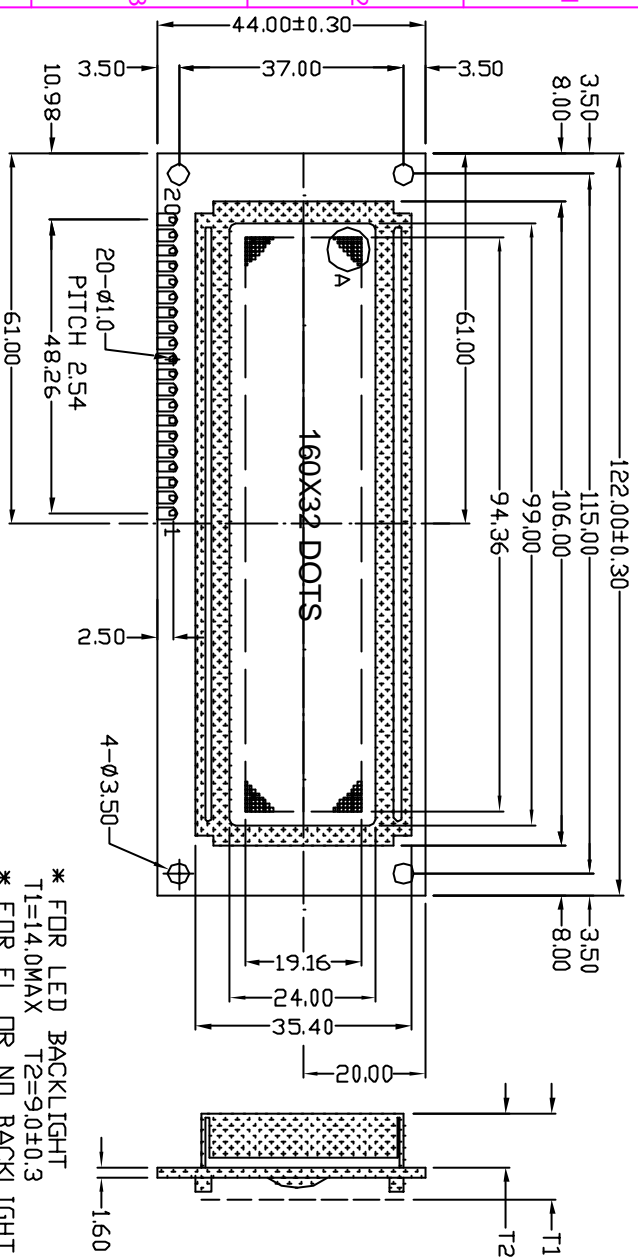
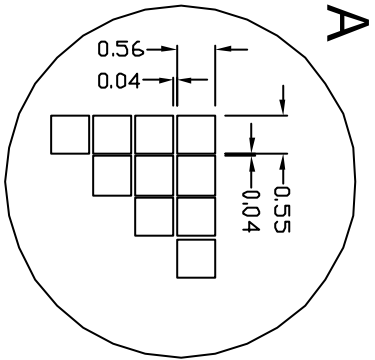
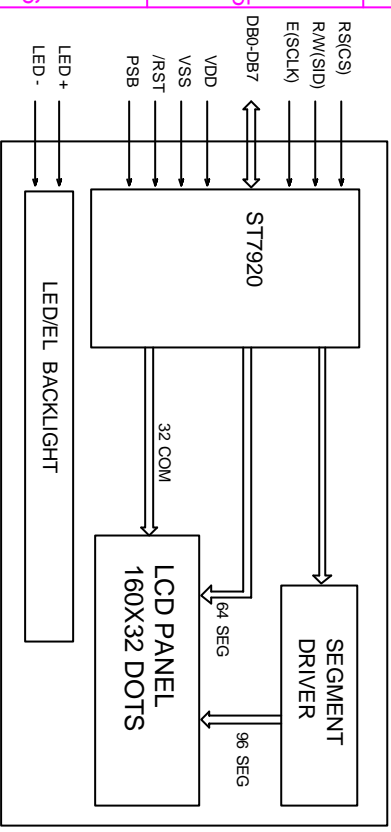


REVISIONS			
NO.	DATE	BY	DESCRIPTION
1	01/06/18	A.CH	NEW RELEASE



* FOR LED BACKLIGHT
 T1=14.0MAX T2=9.0±0.3
 * FOR EL OR ND BACKLIGHT
 T1=10.0MAX T2=5.0±0.3



PINS ASSIGNMENT	
NO.	SYMBOL DESCRIPTION
1	VSS POWER SUPPLY
2	VDD POWER SUPPLY
3	NC NO CONNECT
4	RS(GS) DATAINSTRUCTION SELECT(CHIP SELECTION)
5	RW(SID) READ/WRITE CONTROL(SERIAL DATA INPUT/OUTPUT)
6	E(SCLK) ENABLE SIGNAL(SERIAL CLOCK SIGNAL)
7-14	DB0-DB7 DATA BUS IN PARALLEL INTERFACE
15	PSB PARALLEL(SERIAL) SELECT
16	NC NO CONNECT
15	/RST RESET SIGNAL(LOW EFFECTIVE)
16	NC NO CONNECT
19	LED + POWER SUPPLY FOR LED BACKLIGHT (+)
20	LED - POWER SUPPLY FOR LED BACKLIGHT (-)

ABSOLUTE MAXIMUM RATING			
ITEM	SYMBOL	MIN	MAX
POWER SUPPLY(LOGIC)	VDD-VSS	-0.3	7.0
POWER SUPPLY(LCD DRV.)	VDD-V0	-0.3	13.5
INPUT VOLTAGE	VI	-0.3	VDD

ELECTRICAL CHARACTERISTICS (VDD=5.0±0.25V, 25°C)				
ITEM	SYMBOL	MIN	TYP	MAX
VOLTAGE FOR LOGIC	VDD-VSS	4.75	5.0	5.25
SUPPLY CURRENT	IDD	-	1.3	2.2
INPUT VOLTAGE	VH	2.2	-	VDD
	VL	-0.3	-	0.6
OUTPUT VOLTAGE	VOH	2.4	-	-
	VOL	-	-	0.4

MECHANICAL SPECIFICATIONS		
ITEM	SPECIFICATION	UNIT
OVERALL SIZE	122.00W x 44.00H x 14.0T(10.0T)	MM
VIEWING AREA	99.0W x 24.0H	MM
DOT NUMBER	160W X 32H	MM
DOT SIZE	0.55W X 0.56H	MM
DOT PITCH	0.59W X 0.60H	MM

- OPTIONS**
- LCD TYPE: Y/G STN: GRAY STN.
 - BACKLIGHT: WITHOUT BACKLIGHT, LED, EL
 - COLOR OF BACKLIGHT: Y/G: BLUE, WHITE
 - TEMPERATURE RANGE: NORMAL(0--50C) EXTENDED(-20--70C)
 - POWER SUPPLY: 5.0V, 3.0V
 - VIEWING ANGLE: 6H: 12H
 - CHARACTER TABLE: MADARIN(SIMPLE) CHINESE

NT-G160322A

160 X 32 DOTS



ALL DIMENSIONS ARE IN MM. TOLERANCE IS +/-0.2 UNLESS OTHERWISE NOTED.

