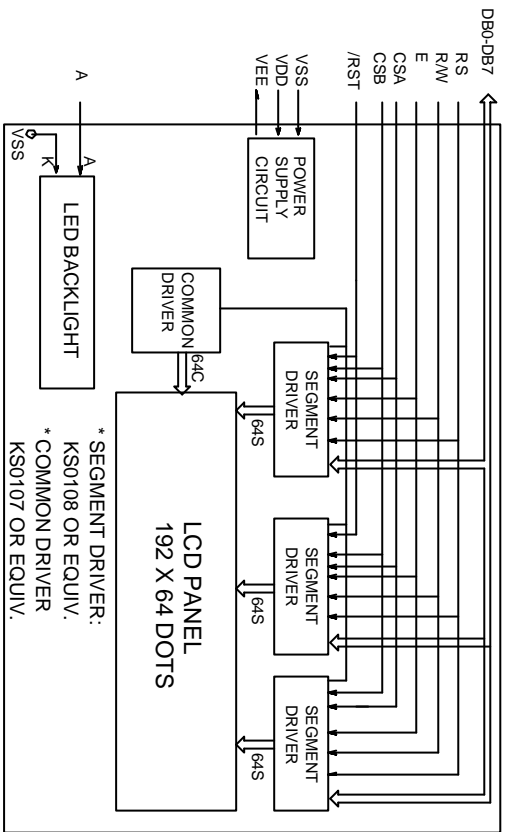
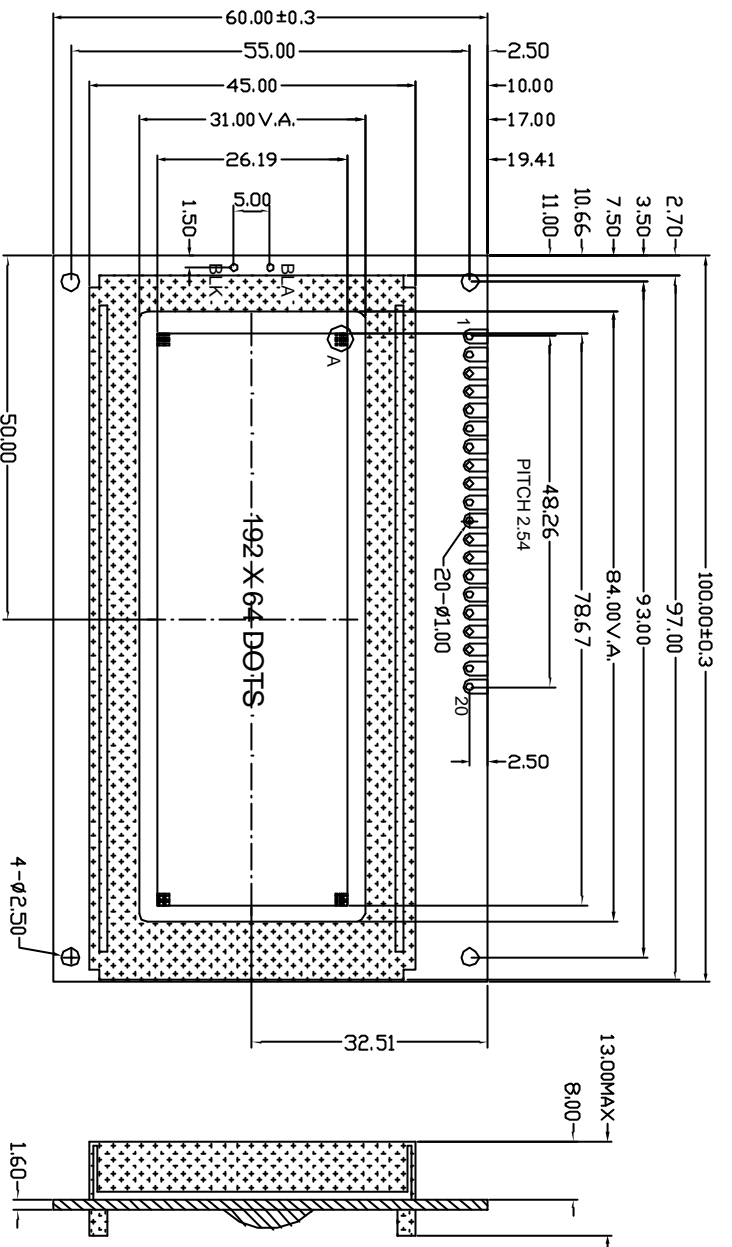


REVISIONS			
NO.	DATE	BY	DESCRIPTION
1	01/06/18	ACh	NEW RELEASE



PINS ASSIGNMENT			
NO.	SYMBOL	DESCRIPTION	
1-8	DB7-DB0	DATA BUS	
9	E	ENABLE SIGNAL	
10	RW	READWRITE SELECT	
11	RS	DATA/INSTRUCTION SELECT	
12	V0	OPERATING VOLTAGE FOR LCD	
13	VDD	POWER SUPPLY FOR LOGIC AND LCD	
14	VSS	GROUND	
15	CSB	CHIP SELECT SIGNAL A	
16	CSA	RESET SIGNAL B	
17	VEE	NEGATIVE VOLTAGE OUTPUT/INPUT (-10V)	
18	/RST	RESET SIGNAL	
19	BLA	POWER SUPPLY FOR LED B.L. (+4.2V)	
20	BLK	POWER SUPPLY FOR LED B.L.(0V)	

ABSOLUTE MAXIMUM RATING			
ITEM	SYMBOL	MIN	MAX
POWER SUPPLY (LOGIC)	VDD-VSS	0	6.5
POWER SUPPLY (LCD DRV.)	VDD-V0	0	18.0
INPUT VOLTAGE	V _I	V _I	VDD

ELECTRICAL CHARACTERISTICS					
ITEM	SYMBOL	MIN	TYP	MAX	UNIT
VOLTAGE FOR LOGIC	VDD-VSS	4.75	5.0	5.25	V
SUPPLY CURRENT	IDD	-	5.1	9.8	mA
LCD OPERATING VOLTAGE	0C	-	9.2	-	V
	25C	-	9.0	-	V
INPUT VOLTAGE	40C	-	8.8	-	V
	H	V _{IH}	-	VDD	V
VOLTAGE FOR LED BL	L	V _{IL}	0	0.3VDD	V
	VA	V _{VA-VSS}	4.0	4.10	4.40

MECHANICAL SPECIFICATIONS		
ITEM	SPECIFICATION	UNIT
OVERALL SIZE	100.0W x 80.0H x 13.0T (10.0T)	MM
VIEWING AREA	84.0W x 31.0H	MM
DOT NUMBER	192 x 64	DOTS
DOT SIZE	0.36W x 0.36H	MM
DOT PITCH	0.41W x 0.41H	MM

- OPTIONS**
- LCD TYPE: Y/G STN., GRAY STN., BW FSTN
 - BACKLIGHT: WITHOUT BACKLIGHT, LED, EL
 - COLOR OF BACKLIGHT: Y/G: BLUE, WHITE
 - TEMPERATURE RANGE: NORMAL(0-50C), EXTENDED(-20-70C)
 - POWER SUPPLY: ON BOARD DC/DC(SINGLE 5.0V); DUAL POWER SUPPLY(5.0V & -10.0V)
 - VIEWING ANGLE: 6H; 12H

NT-G192642A

192 X 64 DOTS GRAPHIC LCM



ALL DIMENSIONS ARE IN MM. TOLERANCE IS +/-0.2 UNLESS OTHERWISE NOTED.

