

REVISIONS			
NO.	DATE	BY	DESCRIPTION
1	01/06/18	A.CH	NEW RELEASE

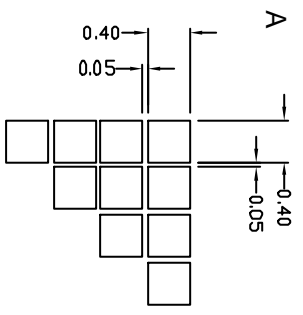
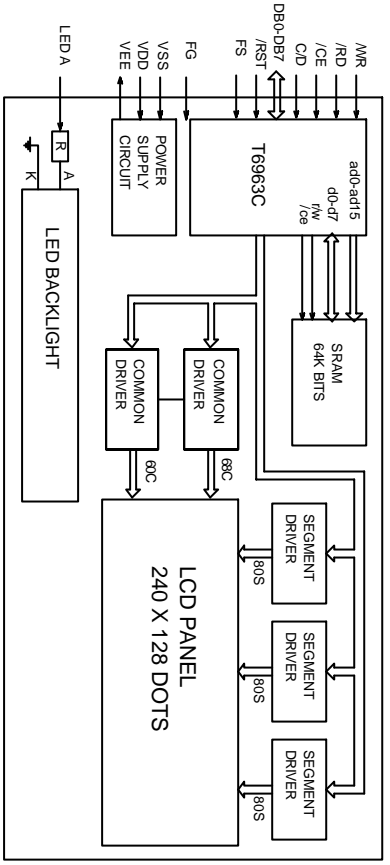
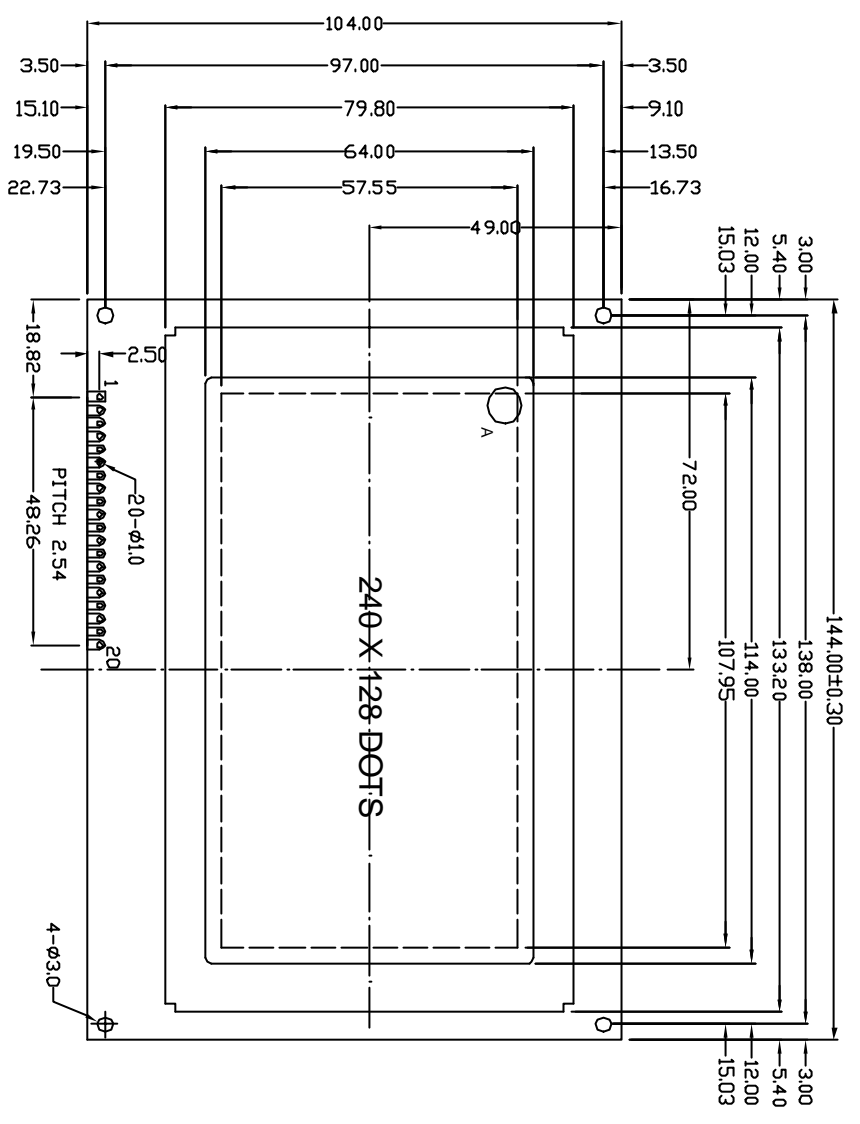
PINS ASSIGNMENT			
NO.	SYMBOL	DESCRIPTION	
1	FG	FRAME GROUND	
2	VSS	GROUND	
3	VDD	POWER SUPPLY FOR LOGIC AND LCD	
4	V0	OPERATING VOLTAGE FOR LCD	
5	M/R	DATA WRITE	
6	/R/D	DATA READ	
7	/CE	CHIP ENABLE FOR T6963C	
8	/OD	COMMAND/DATA SELECTION	
9	/RST	RESET T6963C (LOW EFFECTIVE)	
10-17	DB0-DB7	DATA BUS	
18	FS	FONT SELECTION (L8X8, H8X8)	
19	LEDA	POWER SUPPLY FOR LED BACKLIGHT (+)	
20	VEE	NEGATIVE VOLTAGE INPUT/OUTPUT	

ABSOLUTE MAXIMUM RATING			
ITEM	SYMBOL	MIN	MAX
POWER SUPPLY (LOGIC)	VDD-VSS	0	6.5
POWER SUPPLY (LCD DRV.)	VDD-V0	0	18.0
INPUT VOLTAGE	VI	VI	VDD

ELECTRICAL CHARACTERISTICS					
ITEM	SYMBOL	MIN	TYP	MAX	UNIT
VOLTAGE FOR LOGIC	VDD-VSS	4.75	5.0	5.25	V
SUPPLY CURRENT	IDD	-	12.0	-	mA
LCD OPERATING VOLTAGE	V0	-	16.0	-	V
INPUT VOLTAGE	VI	-	15.0	-	V
	VIH	0.7VDD	-	VDD	V
	VIL	0	0.3VDD	V	V

MECHANICAL SPECIFICATIONS		
ITEM	SPECIFICATION	UNIT
OVERALL SIZE	144.0W x 104.0H x 14.0T (T1, T2)	MM
VIEWING AREA	133.2W x 64.0H	MM
DOT NUMBER	240 x 128	DOTS
DOT SIZE	0.40W x 0.40H	MM
DOT PITCH	0.45W x 0.45H	MM

OPTIONS	
1.	LCD TYPE: Y/G STN, GRAY STN, B/W FSTN
2.	BACKLIGHT: WITHOUT BACKLIGHT, LED, EL, CCFL
3.	COLOR OF BACKLIGHT: Y/G, BLUE, WHITE
4.	TEMPERATURE RANGE: NORMAL (0-50C)
5.	POWER SUPPLY: ON BOARD DC/DC (SINGLE 5.0V); DUAL POWER SUPPLY (5.0V & -10.0V)
6.	VIEWING ANGLE: 6H: 12H



\* FOR LED BACKLIGHT  
 T1=14.0MAX T2=9.0MAX  
 \* FOR EL OR NO BACKLIGHT  
 T1=11.0MAX T2=6.0MAX

NT-G2401281A

240 X 128 DOTS GRAPHIC LCM



ALL DIMENSIONS ARE IN MM. TOLERANCE IS +/-0.2 UNLESS OTHERWISE NOTED.

