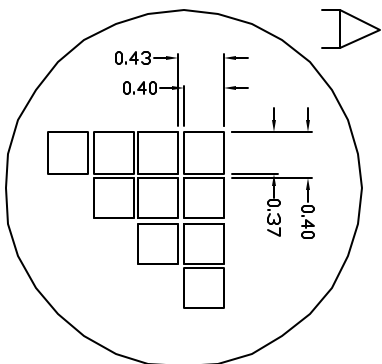
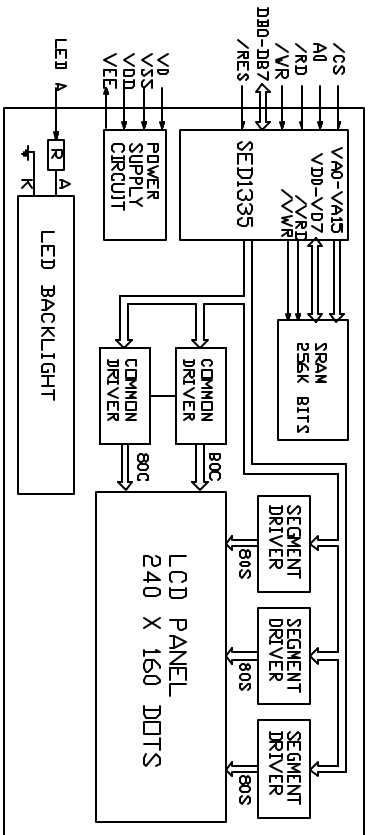
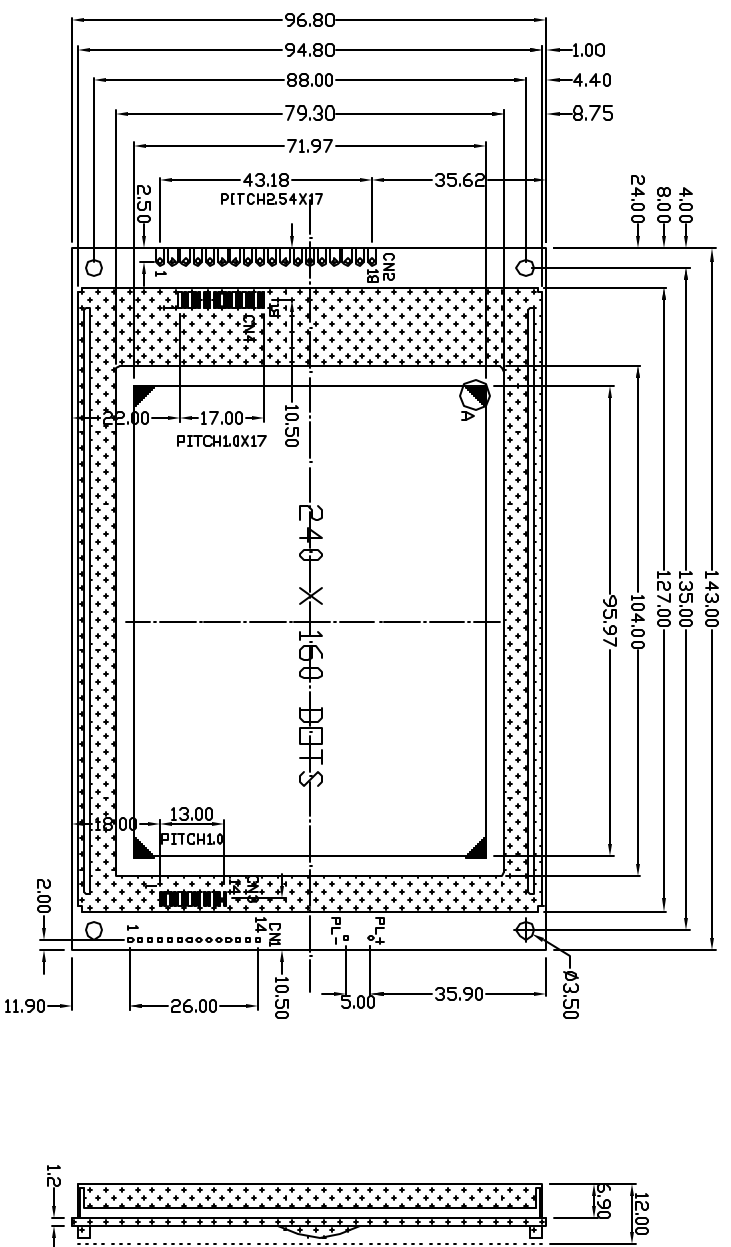


REVISIONS

NO.	DATE	BY	DESCRIPTION
1	01/06/18	A.C.H	NEW RELEASE



ABSOLUTE MAXIMUM RATING

ITEM	SYMBOL	MIN	MAX	UNIT
POWER SUPPLY LOGIC	VDD-VSS	0	6.5	V
POWER SUPPLY (LCD DRV)/VDD-V0		0	18.0	V
INPUT VOLTAGE	VI	VI	VDD	V

ELECTRICAL CHARACTERISTICS

ITEM	SYMBOL	MIN	TYP	MAX	UNIT
VOLTAGE FOR LOGIC	VDD-VSS	4.75	5.0	5.25	V
SUPPLY CURRENT	I _{DD}	-	180	-	μA
LCD OPERATING	I _{ESC}	-	180	-	μA
VOLTAGE	VDD-V0	-	17.5	-	V
INPUT VOLTAGE	VI	VH	0.7VDD	-	V
		VIL	0	-	V

MECHANICAL SPECIFICATIONS

ITEM	SPECIFICATION	UNIT
OVERALL SIZE	143.00 x 96.50 x 12.00	mm
VIEWING AREA	104.00 x 79.97	mm
DOT NUMBER	240 x 160	DOTS
DOT SIZE	0.37 x 0.40	mm
DOT PITCH	0.40 x 0.43	mm

- OPTIONS
- LCD TYPE: 1/6 STN, GRAY STN, B/V FSTN
 - BACKLIGHT: WITHOUT BACKLIGHT, LED, EL, CCFL
 - COLOR OF BACKLIGHT: Y/G, BLUE, WHITE
 - TEMPERATURE RANGE: NORMAL(0--50C)
 - POWER SUPPLY: ON BOARD DC/DC(SINGLE 50V), 5-VIEWING ANGLE: 6H

NT-G2401601A

240X160 DOTS GRAPHIC LCM



ALL DIMENSIONS ARE IN MM, TOLERANCE IS +/-0.2 UNLESS OTHERWISE NOTED.

