

REVISIONS			
NO.	DATE	BY	DESCRIPTION
1	01/06/18	A.CH	NEW RELEASE

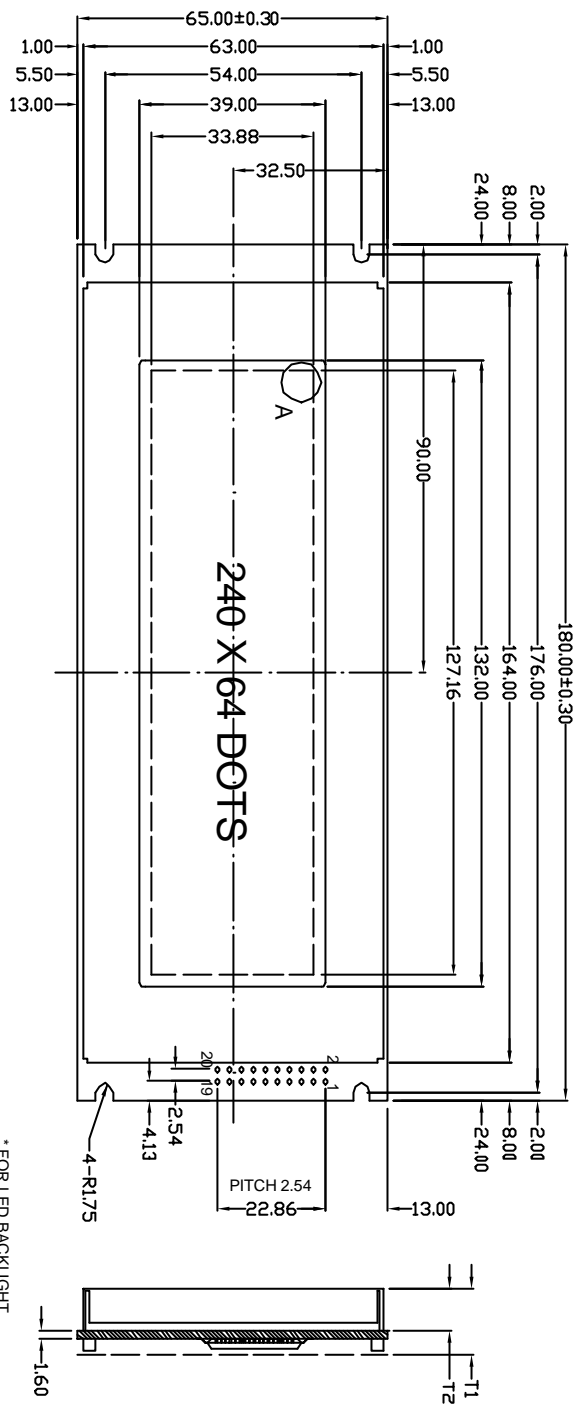
PINS ASSIGNMENT			
NO.	SYMBOL	DESCRIPTION	
1	FG	FRAME GROUND	
2	VSS	GROUND	
3	VDD	POWER SUPPLY FOR LOGIC AND LCD	
4	V0	OPERATING VOLTAGE FOR LCD	
5	M/R	DATA WRITE	
6	/R/D	DATA READ	
7	/C/E	CHIP ENABLE FOR T6963C	
8	/C/D	COMMAND/DATA SELECTION	
9	NC	NO CONNECT	
10	/R/ST	RESET T6963C (LOW EFFECTIVE)	
11-18	DB0-DB7	DATA BUS	
19	FS	FONT SELECTION (L8X8, H8X8)	
20	V/EE	ON-CHIP DC/DC OUTPUT (-10V)	

ABSOLUTE MAXIMUM RATING			
ITEM	SYMBOL	MIN	MAX
POWER SUPPLY (LOGIC)	VDD-VSS	0	6.5
POWER SUPPLY (LCD DRV.)	VDD-V0	0	18.0
INPUT VOLTAGE	V _I	V _I	V _D

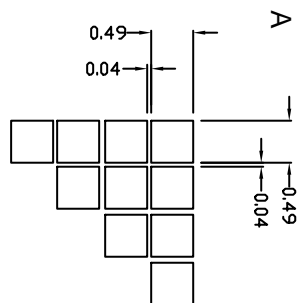
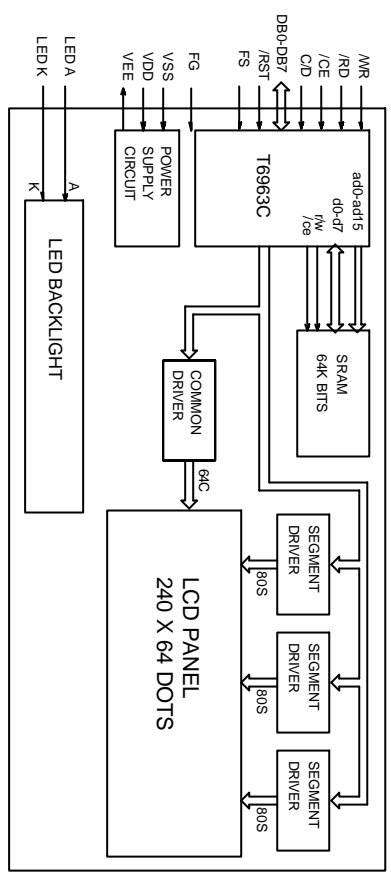
ELECTRICAL CHARACTERISTICS					
ITEM	SYMBOL	MIN	TYP	MAX	UNIT
VOLTAGE FOR LOGIC	VDD-VSS	4.75	5.0	5.25	V
SUPPLY CURRENT	I _{DD}	-	8.7	-	mA
	I _{CG}	-	12.5	-	V
LCD OPERATING VOLTAGE	V ₀	28C	11.5	-	V
	V ₀	40C	10.5	-	V
INPUT VOLTAGE	V _I	V _{IH}	0.7VDD	-	V
	V _I	V _{IL}	0	0.3VDD	V

MECHANICAL SPECIFICATIONS		
ITEM	SPECIFICATION	UNIT
OVERALL SIZE	180.0W X 65.0H X 14.0T(11.0T)	MM
VIEWING AREA	132.0W X 39.0H	MM
DOT NUMBER	240 X 64	DOTS
DOT SIZE	0.49W X 0.49H	MM
DOT PITCH	0.53W X 0.53H	MM

OPTIONS	
1. LCD TYPE:	Y/G STN; GRAY STN; B/W RSTN
2. BACKLIGHT:	WITHOUT BACKLIGHT; LED; EL
3. COLOR OF BACKLIGHT:	Y/G; BLUE; WHITE
4. TEMPERATURE RANGE:	NORMAL(0--50C); EXTENDED(-20--70C)
5. POWER SUPPLY:	ON BOARD DC/DC(SINGLE 5.0V); DUAL POWER SUPPLY(5.0V & -10.0V)
6. VIEWING ANGLE:	6H; 12H



* FOR LED BACKLIGHT
 TH1=14.0MAX TH2=9.0MAX
 * FOR EL OR NO BACKLIGHT
 TH1=11.0MAX TH2=6.0MAX



NT-G240641A

240 X 64 DOTS GRAPHIC LCM



ALL DIMENSIONS ARE IN MM. TOLERANCE IS +/-0.2 UNLESS OTHERWISE NOTED.

