

REVISIONS			
NO.	DATE	BY	DESCRIPTION
1	01/06/18	A.CH	NEW RELEASE

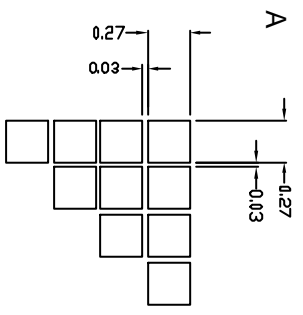
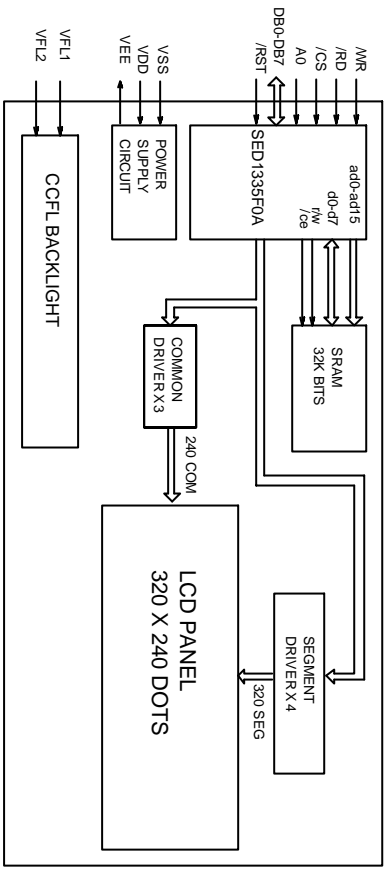
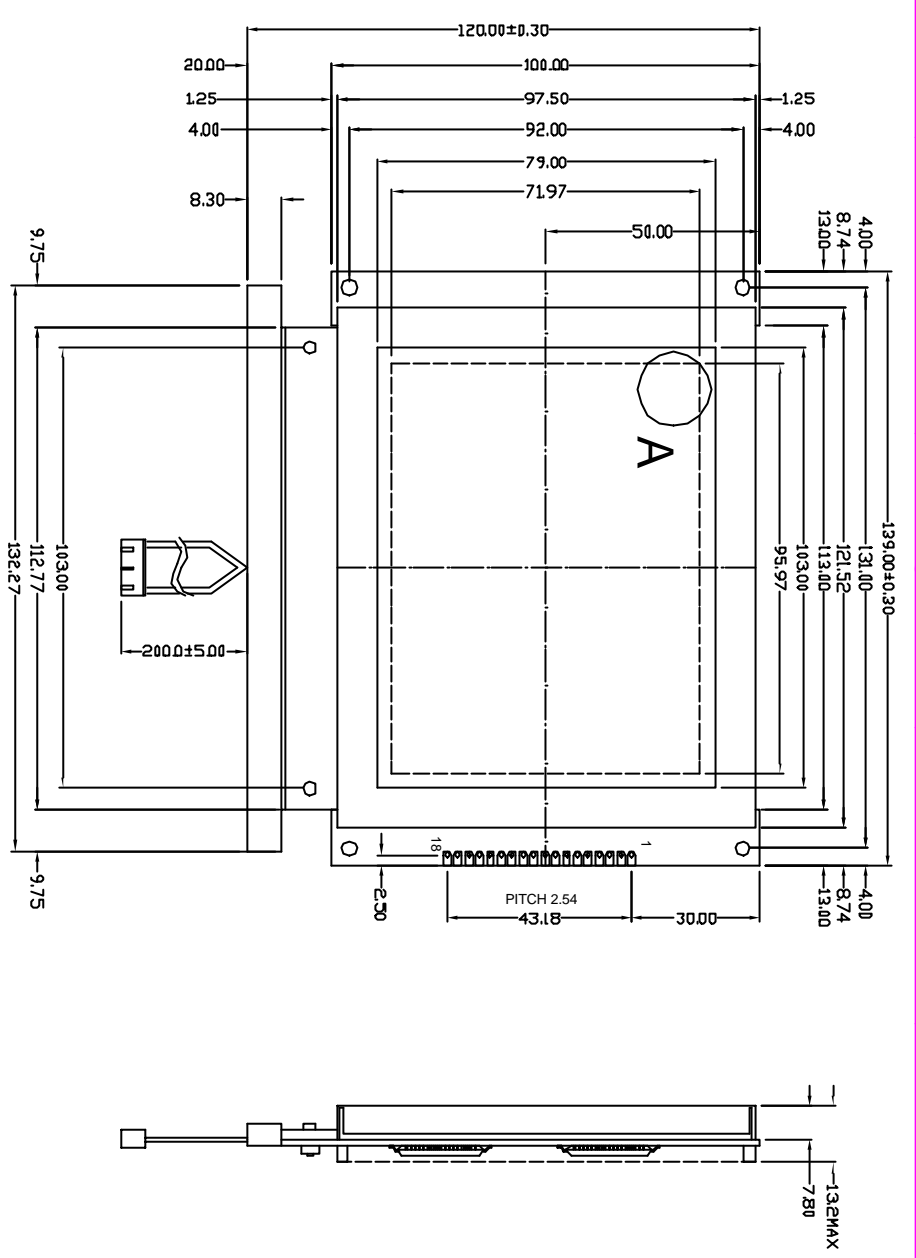
PINS ASSIGNMENT			
NO.	SYMBOL	DESCRIPTION	
1	VSS	GROUND	
2	VDD	POWER SUPPLY FOR LOGIC AND LCD	
3	V ₀	OPERATING VOLTAGE FOR LCD	
4	/MR	DATA WRITE	
5	/RD	DATA READ	
6	/CS	CHIP SELECT	
7	A0	DATA TYPE SELECT	
8	/RST	RESET T683CT (LOW EFFECTIVE)	
9-16	DB0-DB7	DATABUS	
17	NC	NOCONNECT	
18	VEE	NEGATIVE VOLTAGE INPUT/OUTPUT	
19	VFL1	POWER SUPPLY FOR CCFL	
20	NC	NOCONNECT	
21	VFL2	POWER SUPPLY FOR CCFL	

ABSOLUTE MAXIMUM RATING			
ITEM	SYMBOL	MIN	MAX
POWER SUPPLY (LOGIC)	VDD-VSS	-0.3	7.0
POWER SUPPLY (LCD DRV.)	VDD-V ₀	-0.3	30.0
INPUT VOLTAGE	V _I	-0.5	VDD

ELECTRICAL CHARACTERISTICS					
ITEM	SYMBOL	MIN	TYP	MAX	UNIT
VOLTAGE FOR LOGIC SUPPLY CURRENT	VDD-VSS	4.75	5.0	5.25	V
	IDD	-	11.9	20	mA
LCD OPERATING VOLTAGE	V ₀	24.3	25.5	26.7	V
	V ₀	23.7	24.9	26.1	V
INPUT VOLTAGE	V _H	23.1	24.3	25.5	V
	V _L	2.0	-	VDD	V
	V _{IL}	0	0	0.8	V

MECHANICAL SPECIFICATIONS		
ITEM	SPECIFICATION	UNIT
OVERALL SIZE	139.00W x 120.00H x 13.21T	MM
VIEWING AREA	103.00W x 79.00H	MM
DOT NUMBER	320X 240	DOTS
DOT SIZE	0.27W x 0.27H	MM
DOT PITCH	0.30W x 0.30H	MM

OPTIONS	
1.	LCD TYPE: BW/STN; V/G/STN
2.	BACKLIGHT: WITHOUT BACKLIGHT; EL; CCFL
3.	COLOR OF BACKLIGHT: Y/G; BLUE; WHITE
4.	TEMPERATURE RANGE: NORMAL(0-50C)
5.	POWER SUPPLY: ON BOARD DC(DC(SINGLE 5.0V));
6.	VIEWING ANGLE: 6H;



NT-G3202401A

320 X 240 DOTS GRAPHIC LCM



ALL DIMENSIONS ARE IN MM. TOLERANCE IS +/-0.2 UNLESS OTHERWISE NOTED.

