

REVISIONS			
NO.	DATE	BY	DESCRIPTION
1	01/06/18	A.CH	NEW RELEASE

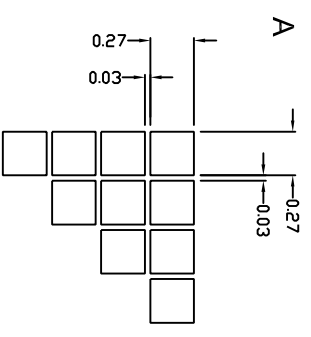
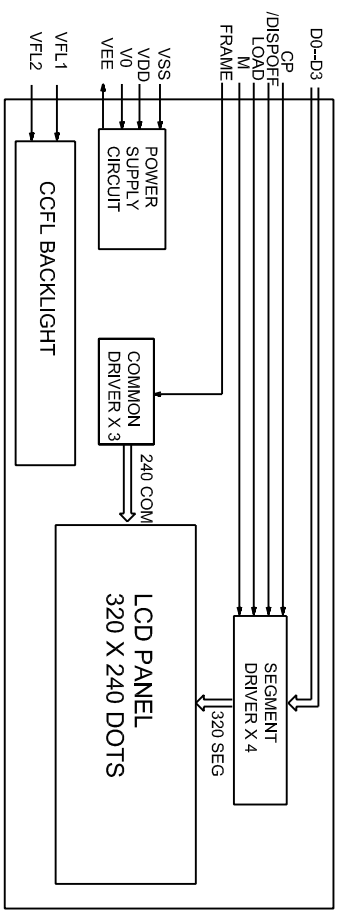
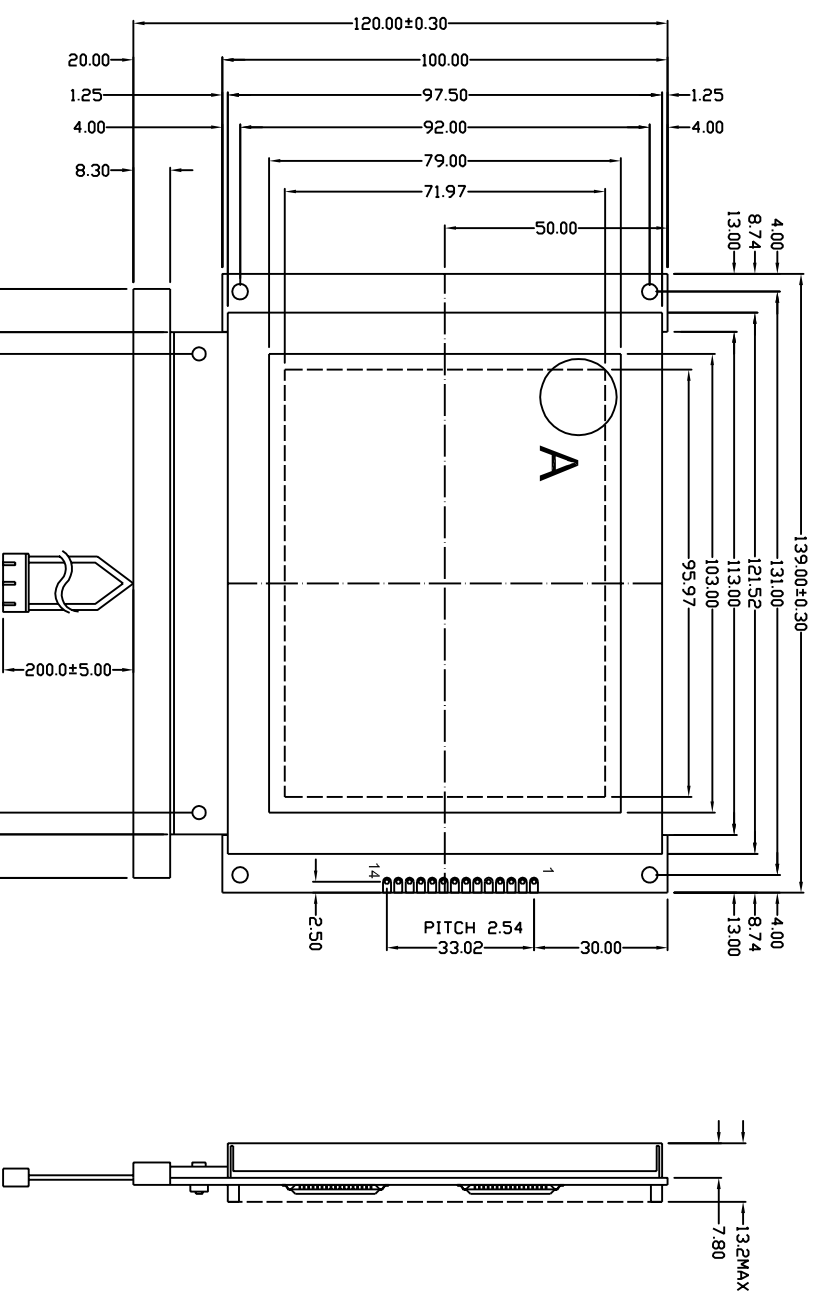
PINS ASSIGNMENT	
NO.	SYMBOL DESCRIPTION
1	FRAME FRAME SIGNAL FOR DISPLAY SYNCHRONIZATION
2	LOAD/CL1 DATA LATCH CLOCK
3	CP(CL2) DATA SHIFT CLOCK
4	M ALTERNATE SIGNAL FOR LCD DRIVER
5	V0 OPERATING VOLTAGE FOR LCD
6	VDD POWER SUPPLY FOR LOGIC AND LCD
7	VSS GROUND
8	VEE NEGATIVE VOLTAGE INPUT/OUTPUT
9-12	DD-D03 DISPLAY DATA INPUT
13	/DISPOFF DISPLAY OFF CONTROL
14	NC NO CONNECT
15	VFL1 POWER SUPPLY FOR CCFL
16	NC NO CONNECT
17	VFL2 POWER SUPPLY FOR CCFL

ABSOLUTE MAXIMUM RATING			
ITEM	SYMBOL	MIN	MAX
POWER SUPPLY(V <sub>LOGIC</sub> )	VDD-VSS	-0.3	7.0
POWER SUPPLY(V <sub>LCD DRV.</sub> )	VDD-V0	-0.3	30.0
INPUT VOLTAGE	V <sub>I</sub>	-0.5	VDD

ELECTRICAL CHARACTERISTICS					
ITEM	SYMBOL	MIN	TYP	MAX	UNIT
VOLTAGE FOR LOGIC	VDD-VSS	4.75	5.0	5.25	V
SUPPLY CURRENT	IDD	-	11.9	20	mA
LCD OPERATING VOLTAGE	DC	24.3	25.5	26.7	V
	25°C	23.7	24.9	26.1	V
INPUT VOLTAGE	40°C	23.1	24.3	25.5	V
	VDD	2.0	-	-	V
	V <sub>IH</sub>	2.0	-	-	V
	V <sub>IL</sub>	0	-	-	V

MECHANICAL SPECIFICATIONS		
ITEM	SPECIFICATION	UNIT
OVERALL SIZE	139.0W x 120.0H x 13.2T	MM
VIEWING AREA	103.0W x 79.0H	MM
DOT NUMBER	320X 240	DOTS
DOT SIZE	0.27W x 0.27H	MM
DOT PITCH	0.30W x 0.30H	MM

OPTIONS	
1.	LCD TYPE: BW/ FSTN/ Y/G STN
2.	BACKLIGHT: WITHOUT BACKLIGHT/ EL/ CCFL
3.	COLOR OF BACKLIGHT: Y/G/ BLUE/ WHITE
4.	TEMPERATURE RANGE: NORMAL(0-50°C)
5.	POWER SUPPLY: ON BOARD DC(DC(SINGLE 5.0V))
6.	VIEWING ANGLE: 6H°



NT-G3202402A

320 X 240 DOTS GRAPHIC LCM



ALL DIMENSIONS ARE IN MM. TOLERANCE IS +/-0.2 UNLESS OTHERWISE NOTED.

