

REVISIONS			
NO.	DATE	BY	DESCRIPTION
1	01/06/18	A.CH	NEW RELEASE

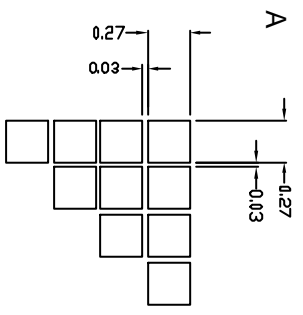
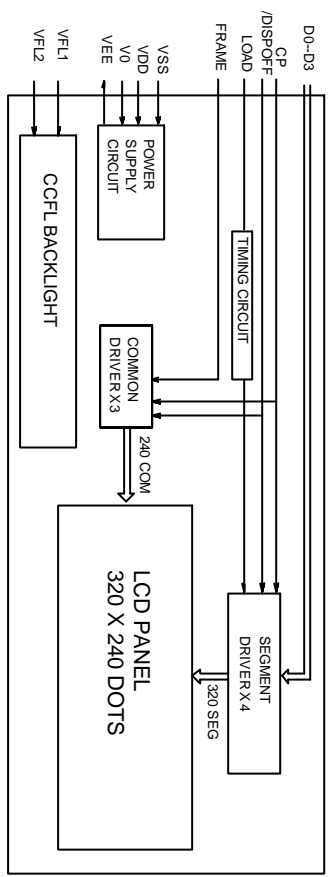
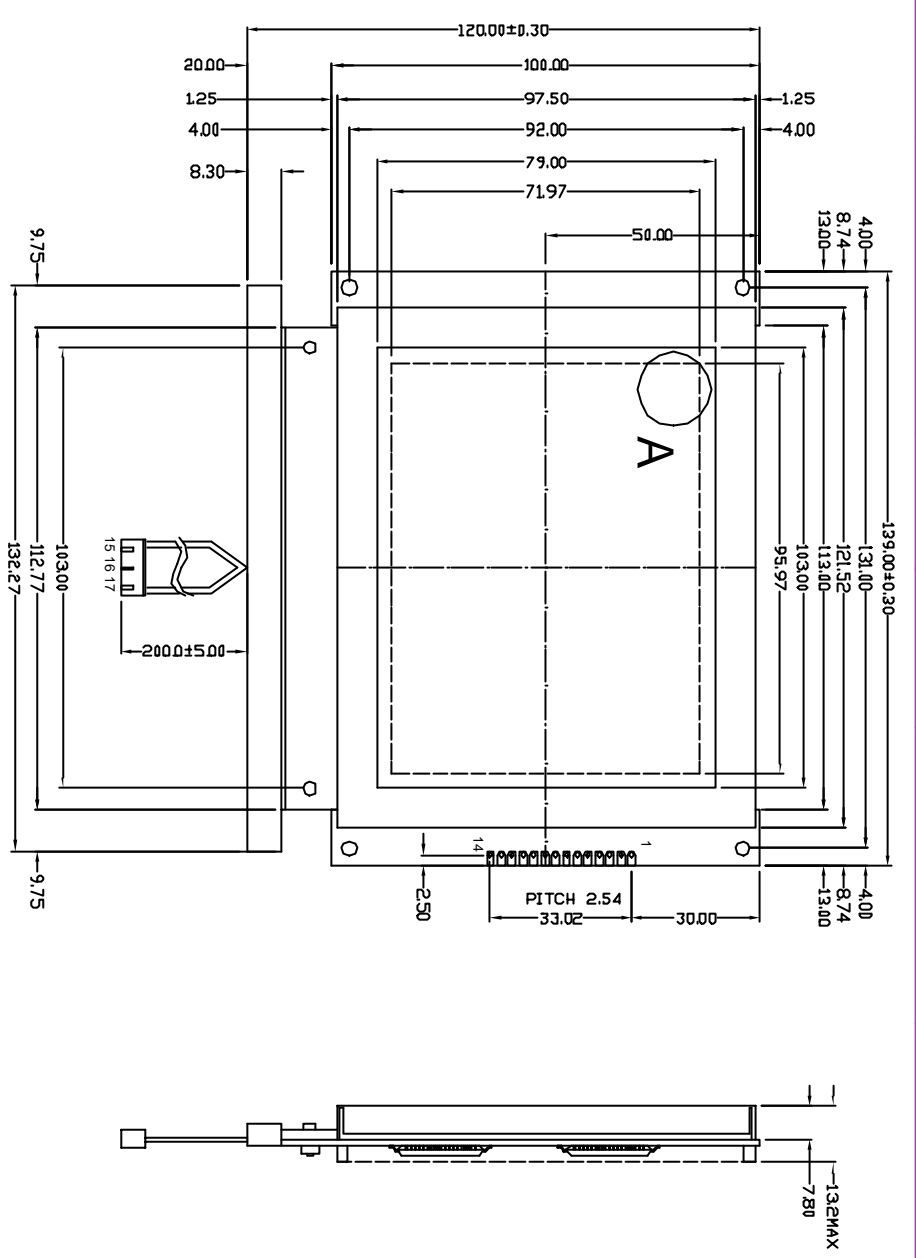
PINS ASSIGNMENT	
NO.	SYMBOL DESCRIPTION
1	FRAME FRAME SIGNAL FOR DISPLAY SYNCHRONIZATION
2	NC NO CONNECT
3	LOAD(CL1) DATA LATCH CLOCK
4	OP(CL2) DATA SHIFT CLOCK
5	/DISP(OFF) DISPLAY OFF CONTROL
6-9	D0-D3 DISPLAY DATA INPUT
10	VDD POWER SUPPLY FOR LOGIC AND LCD
11	VSS GROUND
12	VEE NEGATIVE VOLTAGE INPUT/OUTPUT
13	V0 OPERATING VOLTAGE FOR LCD
14	FG FRAME GROUND
15	VFL1 POWER SUPPLY FOR CCFL
16	NC NO CONNECT
17	VFL2 POWER SUPPLY FOR CCFL

ABSOLUTE MAXIMUM RATING			
ITEM	SYMBOL	MIN	MAX
POWER SUPPLY (LOGIC)	VDD-VSS	-0.3	7.0
POWER SUPPLY (LCD DRV.)	VDD-V0	-0.3	30.0
INPUT VOLTAGE	VI	-0.5	VDD

ELECTRICAL CHARACTERISTICS				
ITEM	SYMBOL	MIN	TYP	MAX
VOLTAGE FOR LOGIC	VDD-VSS	4.75	5.0	5.25
SUPPLY CURRENT	IDD	-	11.9	20
			24.3	25.5
			23.7	24.9
			23.1	24.3
			2.0	VDD
			0	V

MECHANICAL SPECIFICATIONS		
ITEM	SPECIFICATION	UNIT
OVERALL SIZE	139.00W x 120.00H x 13.21T	MM
VIEWING AREA	103.00W x 79.0H	MM
DOT NUMBER	320X 240	DOTS
DOT SIZE	0.27W/ x 0.27H	MM
DOT PITCH	0.30W x 0.30H	MM

OPTIONS	
1.	LCD TYPE: BW/STN; V/G/STN
2.	BACKLIGHT: WITHOUT BACKLIGHT; EL: CCFL
3.	COLOR OF BACKLIGHT: Y/G; BLUE; WHITE
4.	TEMPERATURE RANGE: NORMAL(0-50C)
5.	POWER SUPPLY: ON BOARD DC/DC(SINGLE 5.0V);
6.	VIEWING ANGLE: 6H;



NT-G3202402A

320 X 240 DOTS GRAPHIC LCM



ALL DIMENSIONS ARE IN MM. TOLERANCE IS +/-0.2 UNLESS OTHERWISE NOTED.

