

JUNE 2002

DESCRIPTION

The 78P2342 is a low-power, dual-channel DS3/E3/STS1 transceiver IC. It includes clock recovery and transmitter pulse shaping functions for applications using 75-ohm coaxial cable at distances up to 1350 feet. These applications include DSLAMs, T1,3/E1,3 digital multiplexers, SONET Add/Drop multiplexers, PDH equipment, DS3 to Fiber optic and microwave modems and ATM WAN access for routers and switches.

The receiver recovers clock and data from a B3ZS or HDB3 coded AMI signal. It can compensate for over 12dB of cable and 6dB of flat loss. The transmitter generates a signal that meets the standard pulse shape requirements. It has a B3ZS/HDB3 ENDEC with a receive line code violation detector, a loop-back mode, an input receive MUX that can select a redundant channel, a clock polarity selection mode, and the ability to receive a DSX3 monitor signal.

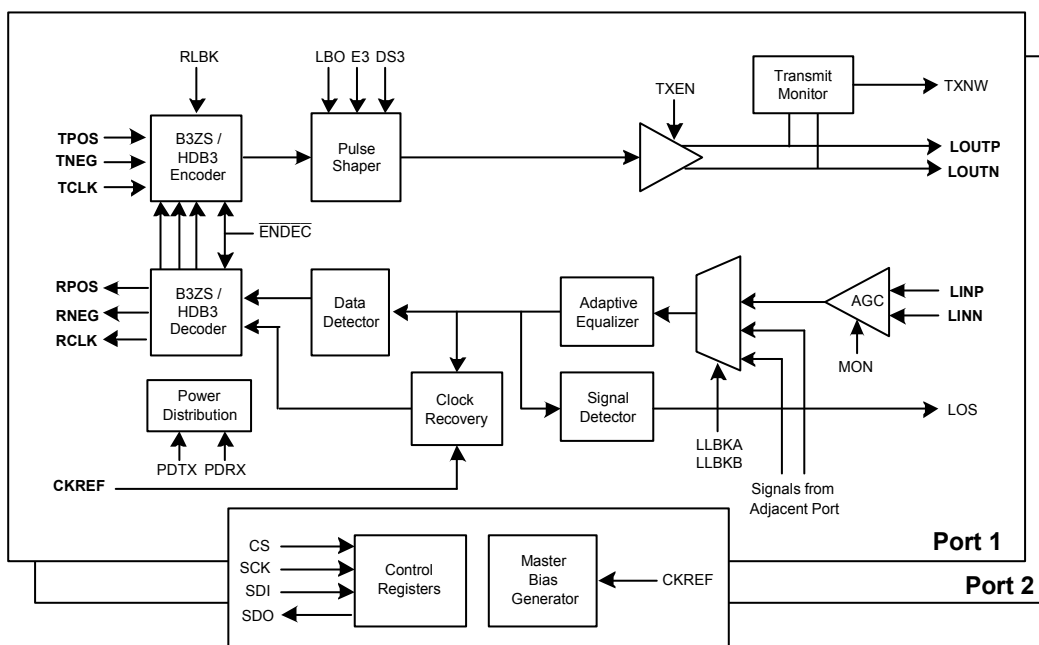
STANDARDS

- Compliant with ANSI T1.102-1993, Telcordia GR-499-CORE and GR-253-CORE, ITU-T G.703, G.823 and G.824 for jitter tolerance and G.775 for loss of signal
- Compliant with ATM FORUM af-phy-0034 (E3 public UNI) and af-phy-0054 (DS3 public UNI)

FEATURES

- Transmit and receive interfaces for E3, DS3 and STS-1 applications
- Designed for use with 75 ohm coaxial cable up to 1350 ft long end-to-end or up to 900 ft long from a DS3 cross-connect
- Receive DS3-high and DSX3 monitor signals
- Local and Remote loopback
- Selectable B3ZS/HDB3 ENDEC with line code violation detector
- Transformer or AC-coupled with capacitors
- Receiver input MUX can select redundant channel for higher system reliability
- Standards-based LOS function
- Optional serial-port based mode selection and channel status monitoring
- Receiver AGC corrects for up to 6dB of flat loss
- Adaptive digital clock recovery (uses line-rate reference clock input)
- Receive output clock maintains nominal line-rate frequency at all times
- Transmit line fault monitor
- Requires no external current-setting resistor or loop filter components
- Single 3.3V supply operation
- Available in 100TQFP

BLOCK DIAGRAM



78P2342

Dual Channel

E3/DS3/STS-1 LIU

FUNCTIONAL DESCRIPTION

The 78P2342 contains all the necessary transmit and receive circuitry for connection between E3, DS3, or STS-1 signals and the digital Framer.

OPERATING RATE

The Master Control Register (MSCR) determines which mode the device operates in according to the table below. The MSL0 pin is also provided for mode selection in applications without a serial control interface. Upon power-up, the state of the MSL0 pin is sensed and mapped into the DS3 and E3 register bits representing the appropriate mode of operation. After power-up, the state of the MSL0 pin is ignored.

Standard	MSL0 pin	DS3 bit	E3 bit
E3	L	0	1
DS3	H	1	0
STS-1	Z	0	0
STS-1	Z	1	1

RECEIVER OPERATION

The receiver input is either transformer-coupled or capacitor-coupled to the line signal. In applications where the highest performance and isolation are required, a 1:1 transformer is used in the receive path. In applications where isolation is provided elsewhere in the circuit, capacitor coupling can be used. The receiver input should be line terminated externally with a termination resistor.

The AMI signal first enters an AGC, which has a selectable gain range setting. In normal operation, the AGC can compensate for signals with up to 6dB of flat loss. When Receiver Monitor Mode is enabled, the AGC can compensate for a DSX3 monitor signal with 16 to 20 dB of flat loss. The signal then enters a high performance adaptive equalizer. The equalizer is designed to overcome inter-symbol interference caused by long cable lengths. Because the equalizer is adaptive, the circuit will work with all square-shaped signals such as DS3-high or 34.368 Mbit/s E3. The variable gain differential amplifier automatically controls the gain to maintain a constant voltage level output regardless of the input voltage level.

The outputs of the data comparators are connected to the clock recovery circuits. The clock recovery system employs a digital PLL, which uses a line-rate reference clock frequency applied to the CKREF pin.

The jitter tolerance of 78P2342 meets the requirements of ITU-T G.823 for E3 rates and the requirements of ITU-T G.824, GR-499-CORE(I), and GR-253-CORE for DS3 rates.

The jitter transfer function meets the requirements of GR-253-CORE and GR-499-CORE for Category II interface to Category II interface equipment for DS3.

RECEIVER MONITOR MODE

When in monitor mode, 20dB of flat gain is applied to the incoming signal before it is fed to the receive equalizer. This mode is controlled by the MON bit in the Mode Control Register.

78P2342 Dual Channel E3/DS3/STS-1 LIU

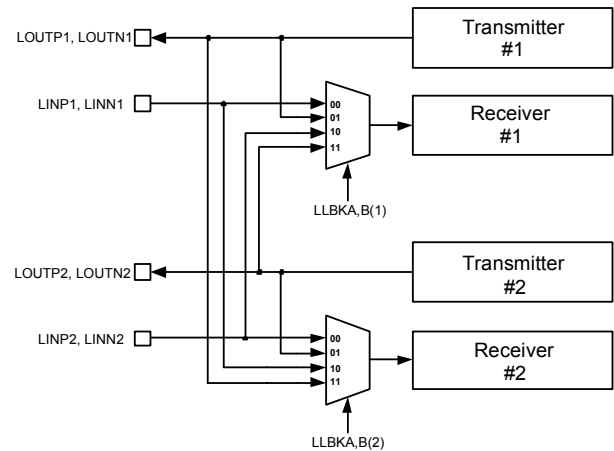
LOCAL LOOPBACK AND REDUNDANCY MUX

Each receiver has a 4-input MUX as shown in the adjacent figure. In multiport applications where redundant channels are required, the receiver MUX can be configured to provide the necessary multiplexing functions. This allows the user to use one port as a redundant monitor for the other port. The tables below show the register settings for selecting the desired receiver input source.

LLBKA (Port 1)	LLBKB (Port 1)	Receiver #1 Input Source
0	0	LINP1/LINN1
0	1	LOUTP1/LOUTN1
1	0	LINP2/LINN2
1	1	LOUTP2/LOUTN2

LLBKA (Port 2)	LLBKB (Port 2)	Receiver #2 Input Source
0	0	LINP2/LINN2
0	1	LOUTP2/LOUTN2
1	0	LINP1/LINN1
1	1	LOUTP1/LOUTN1

Note: The LLBKA and LLBKB bits are located in the Mode Control Register (MDCR). The Register Control bit, REGEN, should be enabled when using the register settings to avoid conflict with external loopback setting pins.



When serial interface control is not available, the respective LPBKx pin for each of the channels can also be used to activate local loopback mode as shown below. Note that redundant channel modes can only be activated using the serial interface.

LPBKx pin	Loopback Mode
L	Normal Operation Same as LLBKA,B = '00'
Z	Remote (Digital) Loopback Same as RLBK = '1'
H	Local (Analog) Loopback Same as LLBKA,B = '01'

78P2342

Dual Channel

E3/DS3/STS-1 LIU

SIGNAL DETECT

When the received signal is below a minimum threshold, the corresponding LOS signal (bit) is asserted. A time delay is provided before this output is active so that transient interruptions do not cause false indications. The LOS signal can also be used to trigger an interrupt on the INTRx pin when serial interface control is not available. This is controlled by setting the RXER bit in the Interrupt Control Register (INTC).

B3ZS/HDB3 ENDEC with line code violation detect

The 78P2342 includes a selectable B3ZS/HDB3 Encoder/Decoder (ENDEC). The ENDEC function can be enabled or disabled through pin selection or register setting. When the ENDEC is enabled, the decoder generates a composite NRZ logic data stream following the B3ZS (for DS3/STS-1) or HDB3 (for E3) substitution codes via the RPOS pin as shown below:

ENDEC bit/pin	RPOSx	RNEGx
0 / L	NRZ data	Receive Line Code Violation Indicator
1 / H	Positive AMI	Negative AMI

The decoder also detects Receive Line Code Violations (RLCV) and outputs a pulse via the RNEG pin. Three different classes of line code violations are detected.

- 1) Too many zeros: More than two (three) consecutive zeros in B3ZS (HDB3) mode.
- 2) Not enough zeros between bipolar pulse (B) and bipolar violation pulse (V): (B,V) for B3ZS. (B,V) or (B,0,V) for HDB3.
- 3) Code violation: Even number of bipolar pulses (B) detected between bipolar violation pulses (V).

On the transmit side, when the ENDEC is enabled, NRZ input data is encoded to Positive and Negative AMI logic data following the B3ZS (for DS3/STS-1) or HDB3 (for E3) substitution codes. The NRZ data is input to the TPOS pin as shown below:

ENDEC bit/pin	TPOSx	TNEGx
0 / L	NRZ data	'Don't Care'
1 / H	Positive AMI	Negative AMI

TRANSMITTER OPERATION

Both transmitters are enabled by their corresponding TXEN bit. When enabled, each transmitter accepts logic level clock (TCLKx), positive data (TPOSx) and negative data (TNEGx) signals and generates current pulses on the LOU TPx and LOU TNx pins. When properly connected to a center-tapped 2:1 transformer, an AMI pulse is generated which can drive a 75Ω coaxial cable.

When the recommended transformer is used and when DS3 mode is selected, the transmitted pulse shape at the end of the 75Ω terminated cable of 0 to 450 feet will fit the DS3 template in ANSI T1.102-1993 and Telcordia GR-499-CORE standard documents. For STS-1 applications, the transmitted pulse for a short cable meets the requirements of Telcordia GR-253-CORE.

For E3 applications, the transmitted pulse for a short cable meets the requirements of ITU-T G.703.

In either DS3 and STS-1 modes, the LBOx pin or LBO bit should be set high for short cable (< 225 ft), and should be set low for long cable (> 225 ft). The LBO settings are ignored in E3 mode.

RCLK/TCLK POLARITY REVERSAL

To simplify the interface with various framer circuitry, TCLK polarity can be internally inverted by setting the TCLKP bit, and RCLK polarity can be inverted by setting the RCLKP bit. Both bits are located in the Master Control Register (MSCR).

REMOTE (DIGITAL) LOOPBACK

When the Register Control bit, REGEN, is disabled and the LPBKx pin is floating; or when the Register Control bit, REGEN, is enabled and the RLBK bit is set, RCLKx, RNEGx, and RPOSx outputs are internally looped back to the TCLKx, TNEGx, and TPOSx inputs respectively.

LINE BUILD-OUT

The Line Build-Out (LBO) function controls the transmit amplitude and pulse shape in DS3 and STS-1 modes. The selection of LBO depends on the amount of cable the transmitter is connected to. When less than 225 ft of cable is used, the corresponding LBOx pin or LBO bit should be high. When 225ft or more cable is used the corresponding LBO setting (LBOx pin or LBO bit) should be low. LBO can be controlled either from pins or from register settings, depending on the status of the Register Control bit, REGEN.

TRANSMIT ENABLE

The TXEN bit in the Mode Control Register controls the transmitter output. When logic zero, the transmitter output is disabled. This feature is used to disable ports as well as to multiplex two or more transceivers to one port. The transmitter of any port can also be disabled by floating the respective LBOx pin, in which case it will also power-down the entire transmitter. See section on the Power-Down Function for more info.

TRANSMIT MONITOR

The transmit monitor function detects activity on the transmitter output at the LOU TPx and LOU TNx pins. When there is a transmitter fault, in the case of an open or short on the chip, the transformer, or the circuit board, the transmit signal amplitude will be altered. The transmit monitor detects the amplitude of the driven signal. The TXNW signal (bit) goes high when the amplitude of the transmit signal is outside a valid amplitude range. When the signal amplitude is either too high or too low for longer than a specified duration, the TXNW bit goes high. The TXNW signal can be also used to trigger an interrupt on the INTRx pin when serial interface control is not available. This is accomplished by setting the TXER bit in the Interrupt Control Register (INTC).

POWER-DOWN FUNCTION

Power-down control is provided to allow the transceivers to be shut off individually. Transmit and receive power-down can be set independently via the PDTX and PDRX bits in the Mode Control Register. Floating the respective LBOx pin can also set PDTX for each channel. The Serial Control Interface and Configuration Registers are not affected by power-down.

POWER-ON RESET

Power-On Reset (POR) function is provided on chip. Upon initial power-up, a reset pulse is internally generated. This resets all registers to their default values as well as all state machines within the transceivers to known initial values. The reset signal is also brought out to the POR pin. The POR pin is a special function pin that allows for the following:

- Override the internal $\overline{\text{POR}}$ signal by driving in an external $\overline{\text{POR}}$ signal;
- Use the $\overline{\text{POR}}$ signal to drive other IC's power-on reset;
- Add external capacitor to slow down the release of power-on reset (approximately 8 μ s per nF added).

The internal resistance of the $\overline{\text{POR}}$ pin is approximately 5k Ω .

SERIAL CONTROL INTERFACE

The serial port controlled register allows a generic controller to interface with the 78P2342. It is used for mode settings, diagnostics and test, and the retrieval of status and performance information.

The serial interface consists of four pins: Chip Select (CS), Serial Clock (SCK), Serial Data In (SDI), and Serial Data Out (SDO). The CS pin initiates the read and write operations. It can also be used to select a particular device allowing SCK, SDI and SDO to be bussed together. SCK is the clock input that times the data on SDI and SDO. Data on SDI is latched in on the rising-edge of SCK, and data on SDO is clocked out using the falling edge of SCK.

SDI is used to insert mode, address, and register data into the chip. Address and Data information are input least significant bit (LSB) first.

SDO is a tristate capable output. It is used to output register data during a read operation. SDO output is normally high impedance, and is enabled only during the duration when register data is being clocked out. Read data is clocked out least significant bit (LSB) first.

If SDI coming out of the micro-controller chip is also tristate capable, SDI and SDO can be connected together to simplify connections.

The maximum clock frequency for register access is 20MHz.

78P2342

Dual Channel

E3/DS3/STS-1 LIU

REGISTER DESCRIPTION

REGISTER ADDRESSING

Address Bits	Bit 7	Bit 6	Bit 5	Bit 4	Bit 3	Bit 2	Bit 1	Bit 0
	Port Address				Sub-Address			Read/ Write
Assignment	PA[3]	PA[2]	PA[1]	PA[0]	SA[2]	SA[1]	SA[0]	R/W*

REGISTER TABLE

a) PA[3:0] = 0 : Global Registers

Sub Addr	Reg. Name	Description	Bit 7	Bit 6	Bit 5	Bit 4	Bit 3	Bit 2	Bit 1	Bit 0
0	MSCR (R/W)	Master Control	REGEN <0>	DS3 <X>	E3 <X>	$\overline{\text{ENDEC}}$ <0>	RCLKP <0>	TCLKP <0>	--	SRST <0>
1	INTC (R/W)	Interrupt Control	INPOL <0>	--	--	--	--	--	RXER <1>	TXER <1>
2-7	RSVD (R/O)	Reserved	--	--	--	--	--	--	--	--

b) PA[3:0] = 1-2 : Port-Specific Registers

Sub Addr	Reg. Name	Description	Bit 7	Bit 6	Bit 5	Bit 4	Bit 3	Bit 2	Bit 1	Bit 0
0	MDCR (R/W)	Mode Control	PDTX <0>	PDRX <0>	LBO <1>	LLBKA <0>	LLBKB <0>	RLBK <0>	MON <0>	TXEN <1>
1	STAT (R/O)	Status Monitor	--	--	--	--	LOS	TXNW	SGHI	SGLO
2-7	RSVD (R/O)	Reserved	--	--	--	--	--	--	--	--

78P2342
Dual Channel
E3/DS3/STS-1 LIU

REGISTER DESCRIPTION (continued)

LEGEND

TYPE	DESCRIPTION	TYPE	DESCRIPTION
R/O	Read only	R/W	Read or Write

GLOBAL REGISTERS

ADDRESS 0-0: MASTER CONTROL REGISTER

BIT	NAME	TYPE	DFLT VALUE	DESCRIPTION
7	REGEN	R/W	0	Register Control Enable: 0 : Pin selection overrides register settings 1 : Device is controlled via register set. NOTE: Pin 15 ($\overline{\text{ENDEC}}$) must be tied low when REGEN is set.
6	DS3	R/W	X	Line Speed Selection: Selects the line speed of all channels as well as the input clock frequency at the CKREF pin. [DS3 E3] = 00 : STS-1 (51.840MHz) 01 : E3 (34.368MHz) 10 : DS3 (44.736MHz) 11 : STS-1 (51.840MHz) NOTE: The default values of these register bits depend on the power-up state of the MSL0 pin.
5	E3	R/W	X	
4	$\overline{\text{ENDEC}}$	R/W	0	Encoder/Decoder Disable: 0 : selects NRZ digital data interface 1 : selects AMI digital data interface NOTE: Relevant only when the REGEN bit is set. Otherwise, $\overline{\text{ENDEC}}$ pin selection prevails.
3	RCLKP	R/W	0	RCLK Polarity Selection: 0 : Receive Data clocked out on the falling-edge of RCLK 1 : Receive Data clocked out on the rising-edge of RCLK
2	TCLKP	R/W	0	TCLK Polarity Selection: 0 : Transmit Data clocked in on the rising-edge of TCLK 1 : Transmit Data clocked in on the falling-edge of TCLK
1	RSVD	R/O	X	Reserved
0	SRST	R/W	0	Register Soft-Reset: When this bit is set, all registers are reset to their default values.

78P2342

Dual Channel

E3/DS3/STS-1 LIU

REGISTER DESCRIPTION (continued)

ADDRESS 0-1: INTERRUPT CONTROL REGISTER

This register selects the events that would cause the respective interrupt pin (INTRx) for each of the ports to be activated. User may set as many bits as required.

BIT	NAME	TYPE	DFLT VALUE	DESCRIPTION
7	INPOL	R/W	0	Interrupt Pin Polarity Selection: 0 : Interrupt output is active-low 1 : Interrupt output is active-high
6:2	RSVD	R/O	X	Reserved
1	RXER	R/W	1	Receiver Error Event: When set, loss of receive signal (as indicated by the LOS bit) will cause an interrupt to be flagged.
0	TXER	R/W	1	Transmitter Error Event: When set, transmitter fault (as indicated by the TXNW bit) will cause an interrupt to be flagged.

78P2342
Dual Channel
E3/DS3/STS-1 LIU

REGISTER DESCRIPTION (continued)

PORT-SPECIFIC REGISTERS

For PA[3:0] = N = 1-2 only. Accessing a register with port address greater than 2 constitutes an invalid command, and the read/write operation will be ignored.

ADDRESS N-0: MODE CONTROL REGISTER

BIT	NAME	TYPE	DFLT VALUE	DESCRIPTION
7	PDTX	R/W	0	Transmitter Power-Down: 0 : Normal Operation 1 : Power-Down NOTE: Relevant only when the REGEN bit is set. Otherwise, LBOx pin selection prevails.
6	PDRX	R/W	0	Receiver Power-Down: 0 : Normal Operation 1 : Power-Down
5	LBO	R/W	1	Transmitter Line Build-Out (DS3 and STS-1 only): 0 : ≥ 225ft of cable attached to the cross-connect 1 : < 225ft of cable attached to the cross-connect NOTE: Relevant only when the REGEN bit is set. Otherwise, LBOx pin selection prevails.
4	LLBKA	R/W	0	Local (Analog) Loopback Mode Selection: [RLBKA RLBKB] = 00 : Normal operation 01 : Transmitter loopback 10 : Adjacent receiver input 11 : Adjacent transmitter loopback NOTE: Relevant only when the REGEN bit is set. Otherwise, LPBKx pin selection prevails.
3	LLBKB	R/W	0	
2	RLBK	R/W	0	Remote (Digital) Loopback Enable: 0 : Normal Operation 1 : Loops RCLK, RPOS, and RNEG back onto TCLK, TPOS, and TNEG NOTE: Relevant only when the REGEN bit is set. Otherwise, LPBKx pin selection prevails.
1	MON	R/W	0	Monitor Mode Enable: Used for reception of split-off signals that are flat attenuated by at least 16dB but no more than 20dB. 0 : Disable 1 : Enable
0	TXEN	R/W	1	Transmitter Output Enable: 0 : Transmit driver is disabled 1 : Normal Operation NOTE: Relevant only when the REGEN bit is set. Otherwise, LBOx pin selection prevails.

78P2342

Dual Channel

E3/DS3/STS-1 LIU

REGISTER DESCRIPTION (continued)

ADDRESS N-1: STATUS MONITOR REGISTER

BIT	NAME	TYPE	DFLT VALUE	DESCRIPTION
7-4	RSVD	R/O	X	Reserved
3	LOS	R/O	X	Loss-of-Signal Indication: 0 : Signal Detector detecting a valid receive input signal 1 : Standards-based Loss-of-Signal indication NOTE: RPOSx and RNEGx are forced low when LOS='1'
2	TXNW	R/O	X	Transmitter Not-Working Indication: 0 : Transmitter OK 1 : Transmitter not working
1	SGHI	R/O	X	Signal High Indication: 0 : Receive signal level OK 1 : Receive signal level too high
0	SGLO	R/O	X	Signal Low Indication: 0 : Receive signal level OK 1 : Receive signal level too low / Loss of signal

78P2342
Dual Channel
E3/DS3/STS-1 LIU

PIN DESCRIPTION

LEGEND

TYPE	DESCRIPTION	TYPE	DESCRIPTION
A	Analog Pin	CIS	CMOS Schmitt Trigger Input
CI	CMOS Digital Input	CO	CMOS Digital Output
CIU	CMOS Digital Input w/ Pull-up	COZ	CMOS Tristate Digital Output
CID	CMOS Digital Input w/ Pull-down	S	Supply

TRANSMITTER PINS

NAME	PIN	TYPE	DESCRIPTION
TPOSx	23, 31	CI	Transmit Positive Data/Transmit NRZ: When $\overline{\text{ENDEC}}$ bit = '1', a logic one on this pin generates a positive AMI pulse on the coax. This pin should not be high at the same time that corresponding TNEGx is high. When $\overline{\text{ENDEC}}$ bit = '0', data on this pin is encoded and converted into positive and negative AMI pulses.
TNEGx	24, 32	CI	Transmit Negative Data: When $\overline{\text{ENDEC}}$ bit = '1', a logic one on this pin generates a negative AMI pulse on the coax. This pin should not be high at the same time that corresponding TPOSx is high. When $\overline{\text{ENDEC}}$ bit = '0', this pin is ignored.
TCLKx	25, 33	CIS	Transmitter Clock Input: This signal is used to latch the respective TPOSx and TNEGx signals into the 78P2342.
LOUTPx	98, 92	A	Line Out: Differential AMI Outputs. Requires a 2:1 center-tapped transformer and a shunt termination resistor. See APPLICATION INFORMATION section for more info.
LOUTNx	99, 93		

78P2342

Dual Channel

E3/DS3/STS-1 LIU

PIN DESCRIPTION (continued)

RECEIVER PINS

NAME	PIN	TYPE	DESCRIPTION
CKREF	57	CIS	Reference Clock Input: This clock should be from a clean source (± 20 ppm) and represents the line-rate frequency as follows: E3 : 34.368 MHz DS3: 44.736 MHz STS-1: 51.840 MHz
RCLKx	27, 35	CO	Receive Clock: Recovered receive clock
RNEGx	28, 36	CO	Receive Negative Data: When $\overline{\text{ENDEC}}$ bit = '1', this pin indicates reception of a negative AMI pulse on the coax. When $\overline{\text{ENDEC}}$ bit = '0', this pin outputs a one when a receive line code violation is detected.
RPOSx	29, 37	CO	Receive Positive Data/NRZ Data: When $\overline{\text{ENDEC}}$ bit = '1', this pin indicates reception of a positive AMI pulse on the coax cable. When $\overline{\text{ENDEC}}$ bit = '0', it outputs decoded NRZ data.
LINPx	96, 90	A	Line In: Differential AMI Inputs. Should be 1:1 transformer-coupled and terminated with a shunt resistor. See APPLICATION INFORMATION section for more info.
LINNx	95, 89		

CONTROL AND STATUS PINS

NAME	PIN	TYPE	DESCRIPTION
MSL0	19	A	Data-Rate Mode Selection: Low = E3 mode High = DS3 mode Float = STS-1 mode NOTE: This pin is only sensed upon power-up or reset.
$\overline{\text{POR}}$	14	A	Power-On Reset (active-low): See Power-On Reset description on use of this pin.
$\overline{\text{ENDEC}}$	15	CID	ENDEC Enable (active-low): Set high to disable internal ENDEC function. NOTE: Relevant only when the REGEN bit is '0'. Pin must be held low when the REGEN bit is set.

78P2342
Dual Channel
E3/DS3/STS-1 LIU

PIN DESCRIPTION (continued)

CONTROL AND STATUS PINS (continued)

LBOx	5, 6	CI	Line Build-Out: Low = Used with 225ft or more of cable. High = Used with less than 225ft of cable. Float = Disable and power down transmitter. [TXEN=0; PDTX=1] NOTE: Relevant only when the REGEN bit is '0'.
LPBKx	10, 11	A	Loopback Enable: Low = Normal Operation High = Local Loopback. Transmitter looped back to Receiver Float = Remote Loopback. Receiver looped back to Transmitter NOTE: Relevant only when the REGEN bit is '0'.
INTRx	64, 63	CO	Interrupt Flag: This pin is normally high when the INPOL bit is '0', and normally low when the INPOL bit is '1'. When an interrupt event occurs (as defined in the Interrupt Control Register description), the respective INTRx pin will change state.

SERIAL-PORT PINS

NAME	PIN	TYPE	DESCRIPTION
CS	65	CI	Chip Select: High during write and read operations. Low disables the serial port. While CS is low, SDO remains in high impedance state, and SDI and SCK activities are ignored.
SCK	66	CIS	Serial Clock: Controls the timing of SDI and SDO.
SDI	68	CI	Serial Data Input: Inputs mode and address information. Also inputs register data during a Write operation. Both address and data are input least significant bit first.
SDO	67	COZ	Serial Data Output: Outputs register information during a Read operation. Data is output least significant bit first.

POWER AND GROUND PINS

It is recommended that all supply pins be connected to a single power supply plane and all ground pins be connected to a single ground plane.

NAME	PIN	TYPE	DESCRIPTION
VCC	1, 2, 3, 4, 17, 59, 72, 73, 74, 75	S	Analog Power Supply
GND	18, 60, 78, 81, 84, 87, 91, 94, 97, 100	S	Analog Ground
VCCD	16, 22, 30, 38, 46, 54, 55, 58	S	Digital Power Supply
GNDD	9, 21, 26, 34, 42, 50, 56, 69	S	Digital Ground

78P2342

Dual Channel

E3/DS3/STS-1 LIU

ELECTRICAL SPECIFICATIONS

ABSOLUTE MAXIMUM RATINGS

Operation beyond these limits may permanently damage the device.

PARAMETER	RATING
Supply Voltage (VCC/VCCD)	-0.5 to 4.0 V
Storage Temperature	-65 to 150° C
Pin Voltage (LOUTPx, LOUTNx)	VCC + 1.5 V
Pin Voltage (all other pins)	-0.3 to (VCC+0.6) V
Pin Current	±100 mA

RECOMMENDED OPERATING CONDITIONS

Unless otherwise noted all specifications are valid over these temperatures and supply voltage ranges.

PARAMETER	RATING
DC Voltage Supply (VCC/VCCD)	3.0 to 3.6 V
Ambient Operating Temperature	-40 to 85°C

DC CHARACTERISTICS:

PARAMETER	SYMBOL	CONDITIONS	MIN	NOM	MAX	UNIT
Supply Current	I _{dd}	VCC = 3.3V All channels on DS3 mode Max. cable length		295		mA
Supply Current	I _{ddr}	VCC = 3.3V Transmitter disabled DS3 mode Max. cable length		106		mA
Supply Current per Port (including transmitter current through transformer)	I _{ddx}	VCC = 3.3V DS3 mode Max. cable length		72		mA

78P2342
Dual Channel
E3/DS3/STS-1 LIU

ELECTRICAL SPECIFICATIONS (continued)

ANALOG PINS CHARACTERISTICS:

The following table is provided for informative purpose only.

PARAMETER	SYMBOL	CONDITIONS	MIN	NOM	MAX	UNIT
LINPx and LINNx Common-Mode Bias Voltage	Vblin	Ground reference		2.25		V
LINPx and LINNx Differential Input Impedance	Rilin			10		kΩ
POR Input Impedance	Ripor			5		kΩ

DIGITAL I/O CHARACTERISTICS:

Pins of type CI, CIU, CID:

PARAMETER	SYMBOL	CONDITIONS	MIN	NOM	MAX	UNIT
Input Voltage Low	Vil				0.8	V
Input Voltage High	Vih		2.0			V
Input Current	Iil, Iih		-1		1	μA
Pull-up Resistance	Rpu	Type CIU only	50	70	120	kΩ
Pull-down Resistance	Rpd	Type CID only	40	60	120	kΩ
Input Capacitance	Cin			10		pF

Pins of type CIS:

PARAMETER	SYMBOL	CONDITIONS	MIN	NOM	MAX	UNIT
Low-to-High Threshold	Vt+		1.45		1.55	V
High-to-Low Threshold	Vt-		0.85		0.95	V
Input Current	Iil, Iih		-1		1	μA
Input Capacitance	Cin			10		pF

Pins of type CO and COZ:

PARAMETER	SYMBOL	CONDITIONS	MIN	NOM	MAX	UNIT
Output Voltage Low	Vol	Iol = 8mA			0.4	V
Output Voltage High	Voh	Ioh = -8mA	2.4			V
Output Transition Time	Tt	CL = 20pF; (20-80%)			3	ns
Tristate Output Leakage Current	Iz	Type COZ only	-1		1	μA

78P2342

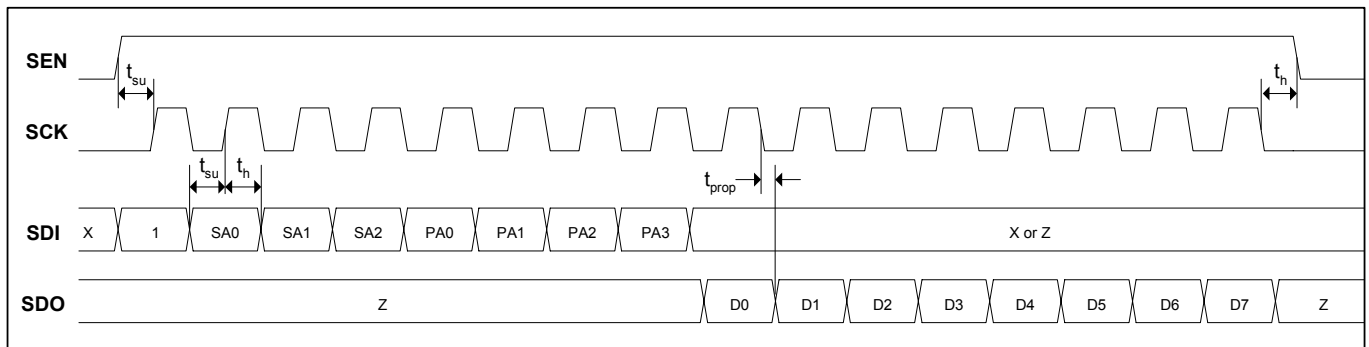
Dual Channel

E3/DS3/STS-1 LIU

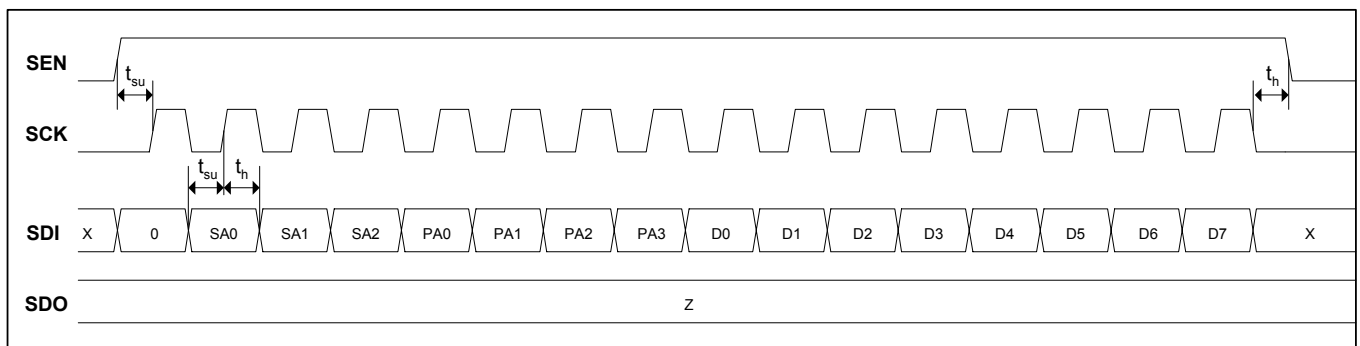
ELECTRICAL SPECIFICATIONS (continued)

SERIAL-PORT TIMING CHARACTERISTICS:

PARAMETER	SYMBOL	CONDITION	MIN	TYP	MAX	UNIT
CS or SDI to SCK setup time	t_{su}		4			ns
CS or SDI to SCK hold time	t_h		4			ns
SCK to SDO propagation delay	t_{prop}				12	ns



Read Operation



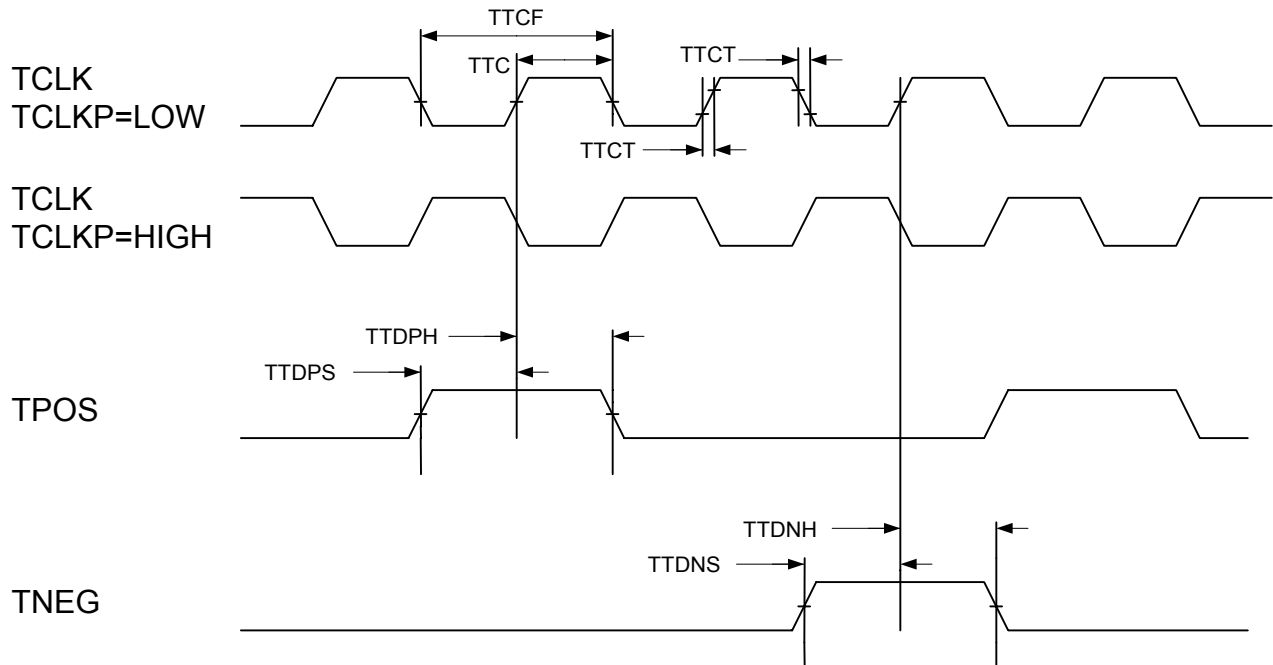
Write Operation

ELECTRICAL SPECIFICATIONS (continued)

TRANSMITTER TIMING CHARACTERISTICS:

PARAMETER	SYMBOL	CONDITIONS	MIN	NOM	MAX	UNIT
Clock Duty Cycle	TTCF/TTC		40		60	%
Transition Time	TTCT		1		5	ns
Setup Time	TTDPS		2.5			ns
Hold Time	TTDPH		2.5			ns

TIMING DIAGRAM: Transmitter Waveforms (E3/DS3/STS-1)



78P2342

Dual Channel

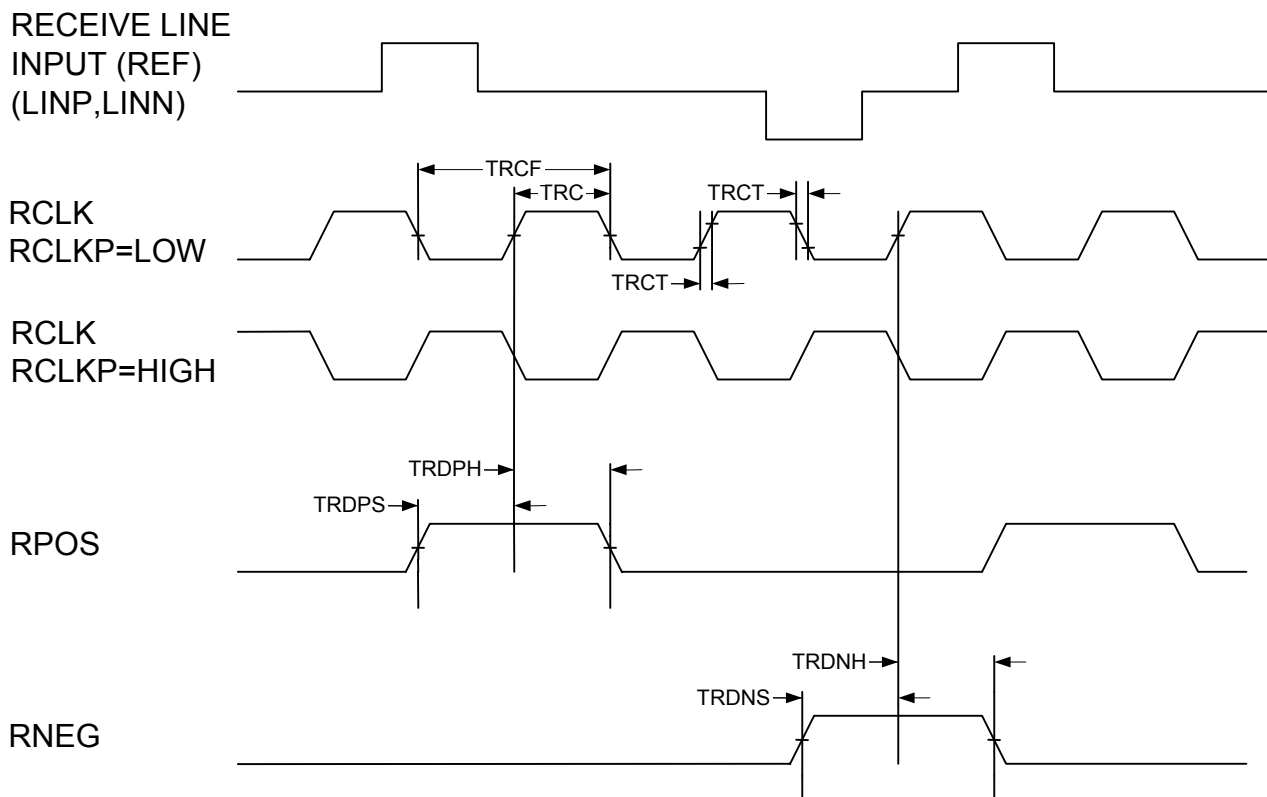
E3/DS3/STS-1 LIU

ELECTRICAL SPECIFICATIONS (continued)

RECEIVER TIMING CHARACTERISTICS:

PARAMETER	SYMBOL	CONDITIONS	MIN	NOM	MAX	UNIT
CKREF Duty Cycle	--		40		60	%
CKREF Frequency Stability	--	w.r.t. line-rate frequency	-20		+20	ppm
Transition Time	TRCT		1		5	ns
RCLK Duty Cycle	TRCF/TRC		40		60	%
Data Setup Time	TRDPS		7			ns
Data Hold Time	TRDPH		7			ns

TIMING DIAGRAM: Receive Waveforms (E3/DS3/STS-1)



78P2342
Dual Channel
E3/DS3/STS-1 LIU

ELECTRICAL SPECIFICATIONS (continued)

DS3/STS-1 TRANSMITTER

PARAMETER	CONDITION	MIN	TYP	MAX	UNIT
Transmitter Amplitude	Measured at LOU TP/LOU TN pins w/ 37.5Ω load and LBO pin held high.	700	800	850	mVpk
Transmitter Amplitude Mismatch	Ratio of amplitudes of positive and negative pulses measured at pulse peaks.	0.9		1.1	
Transmitter Power at 22.368 MHz	DS3 only - All ones, 3kHz bandwidth	-1.8		+5.7	dBm
Transmitter Power at 44.736 MHz	DS3 only - All ones, 3kHz bandwidth	-21.8		-14.3	dBm

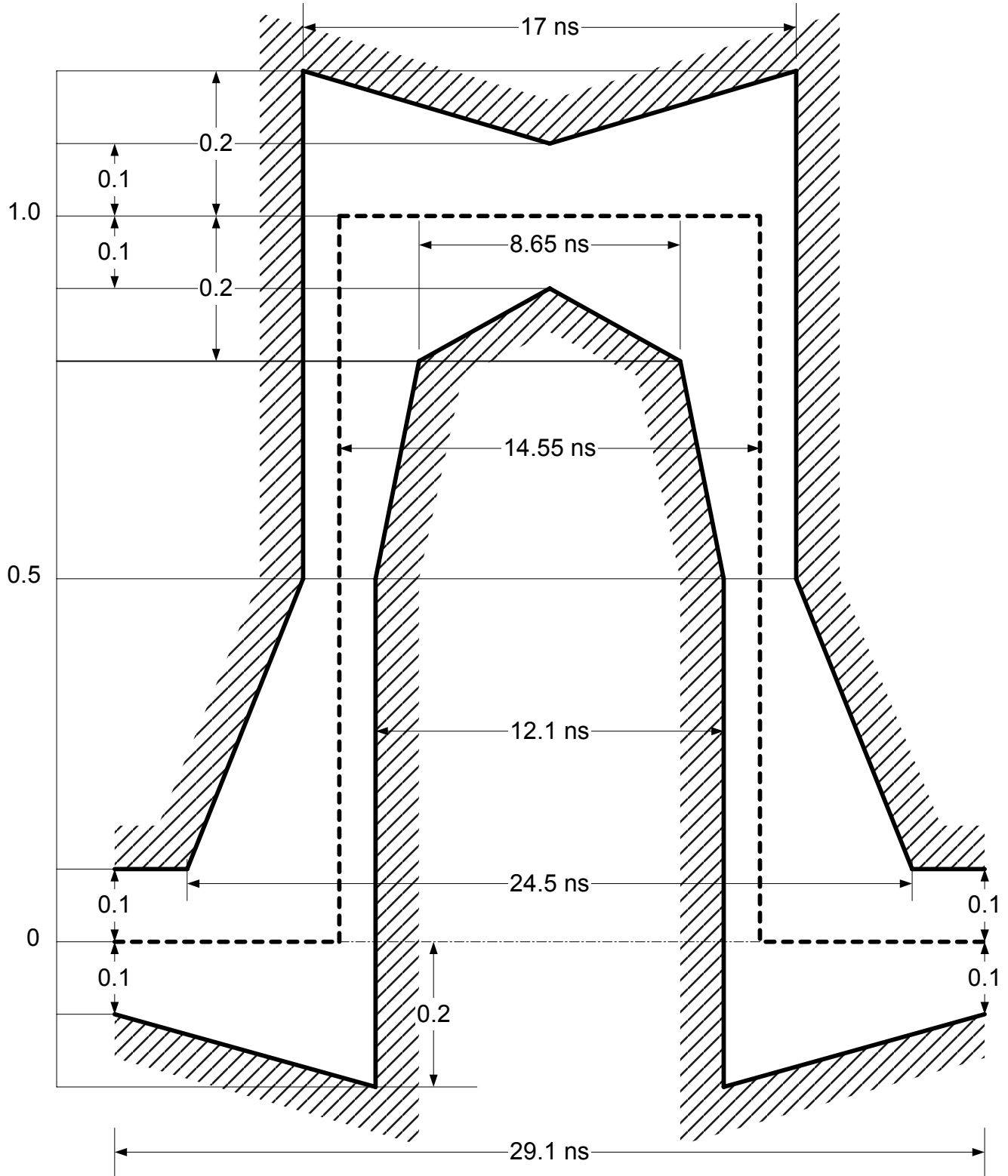
E3 – TRANSMITTER

PARAMETER	CONDITION (see timing diagram)	MIN	TYP	MAX	UNIT
Transmitter Amplitude	Measured at LOU TP/LOU TN pins w/ 37.5Ω load.	900	1000	1100	mVpk
Transmitter Amplitude Mismatch	Ratio of amplitudes of positive and negative pulses measured at pulse centers	0.95		1.05	
Transmitter Pulsewidth Mismatch	Ratio of widths of positive and negative pulses measured at pulse half amplitude	0.95		1.05	
Transmitter Pulsewidth	Measured at LOU TPx and LOU TNx pins		14.55		ns

78P2342
Dual Channel
E3/DS3/STS-1 LIU

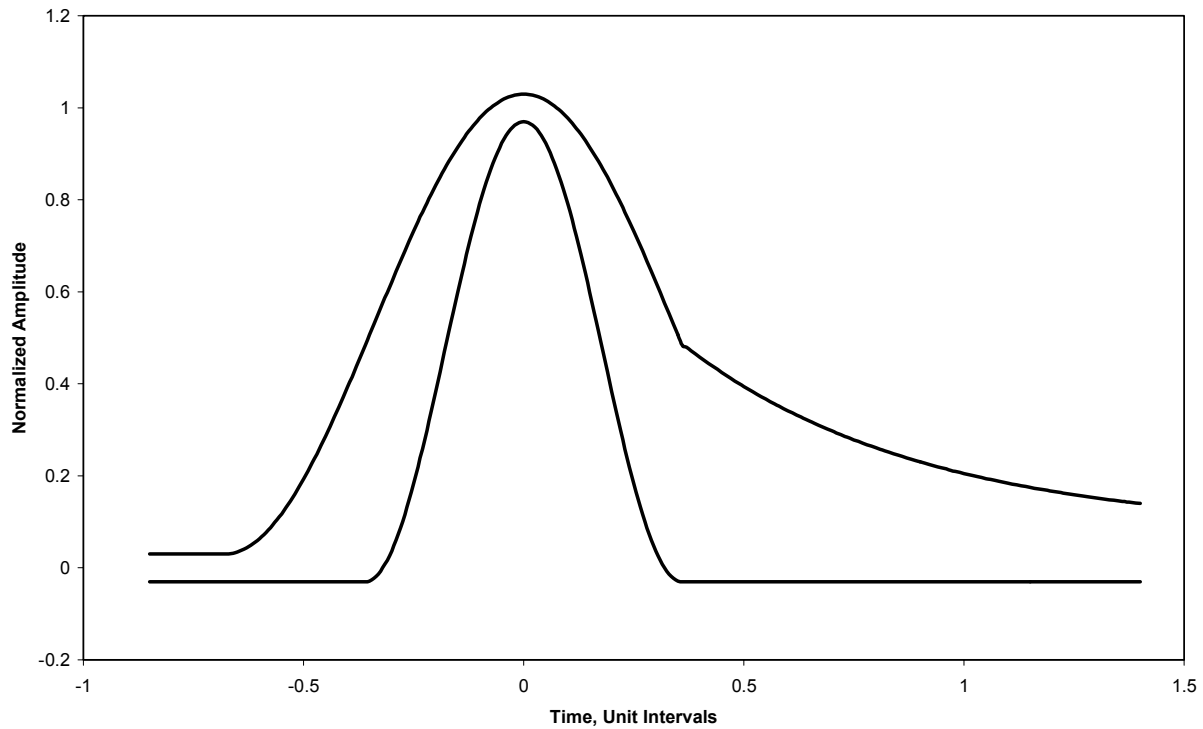
ELECTRICAL SPECIFICATIONS (continued)

E3 TRANSMIT PULSE TEMPLATE



ELECTRICAL SPECIFICATIONS (continued)

DS3 TRANSMIT PULSE TEMPLATE

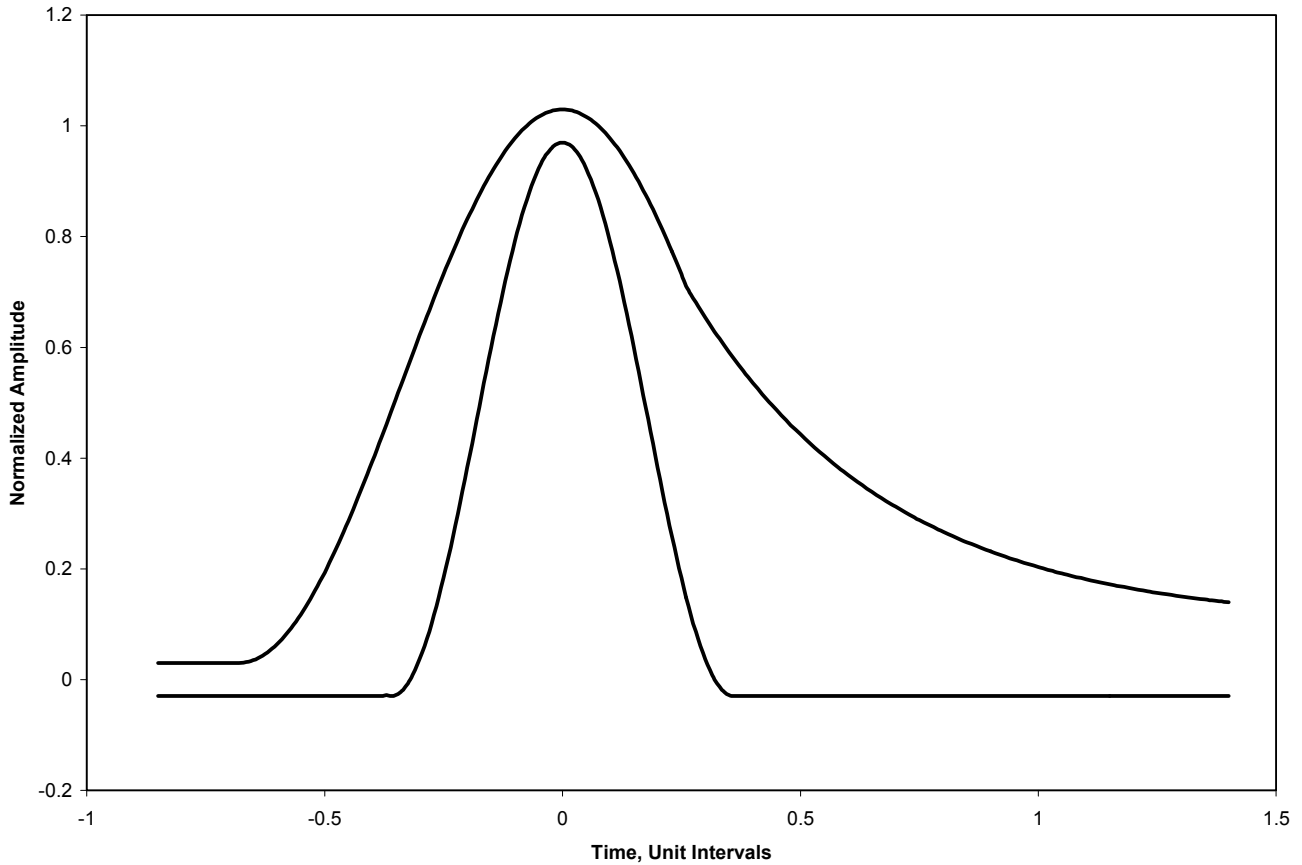


Time axis range (UI)	Normalized amplitude equation
UPPER CURVE	
$-0.85 \leq T \leq -0.68$	0.03
$-0.68 \leq T \leq 0.36$	$0.03 + 0.5\{1 + \sin[(\pi/2)(1 + T/0.34)]\}$
$0.36 \leq T \leq 1.4$	$0.08 + 0.407 e^{-1.84(T-0.36)}$
LOWER CURVE	
$-0.85 \leq T \leq -0.36$	-0.03
$-0.36 \leq T \leq 0.36$	$-0.03 + 0.5\{1 + \sin[(\pi/2)(1 + T/0.18)]\}$
$0.36 \leq T \leq 1.4$	-0.03

78P2342
Dual Channel
E3/DS3/STS-1 LIU

ELECTRICAL SPECIFICATIONS (continued)

STS-1 TRANSMIT PULSE TEMPLATE



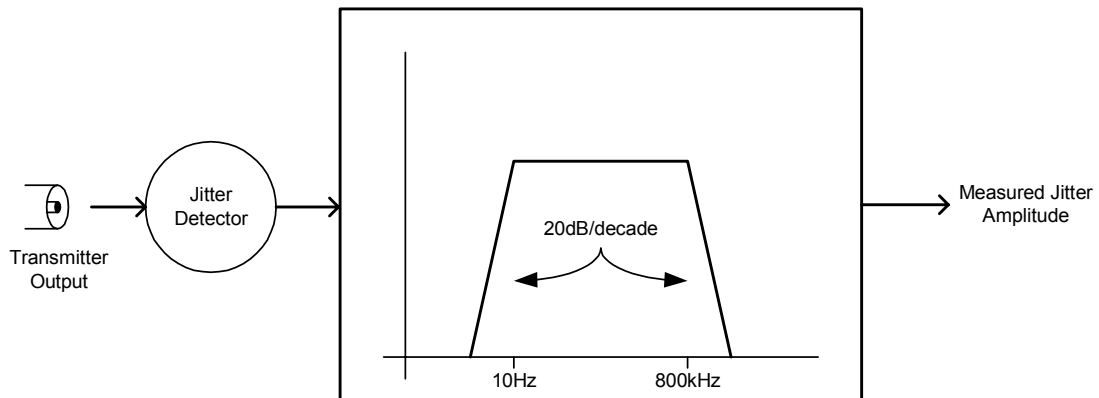
STS-1 (Transmit template specs)

Time axis range (T)	Normalized amplitude equation (A)
UPPER CURVE	
$-0.85 \leq T \leq -0.68$	0.03
$-0.68 \leq T \leq 0.26$	$0.03 + 0.5\{1 + \sin[(\pi/2)(1 + T/0.34)]\}$
$0.26 \leq T \leq 1.4$	$0.1 + 0.61 e^{-2.4(T-0.26)}$
LOWER CURVE	
$-0.85 \leq T \leq -0.38$	-0.03
$-0.38 \leq T \leq 0.36$	$-0.03 + 0.5\{1 + \sin[(\pi/2)(1 + T/0.18)]\}$
$0.36 \leq T \leq 1.4$	-0.03

ELECTRICAL SPECIFICATIONS (continued)

TRANSMITTER OUTPUT JITTER

The transmit jitter specification ensures compliance with ITU-T G.823 and G.824, GR-499 CORE(I), and ANSI T1.102-1993 for all supported rates.



PARAMETER	CONDITION	MIN	NOM	MAX	UNIT
Transmitter Output Jitter	10 Hz to 800 kHz			0.20	UIpp
	10 kHz to 800 kHz			0.08	UIpp

Note: Filters defined by standards are used for all testing

78P2342

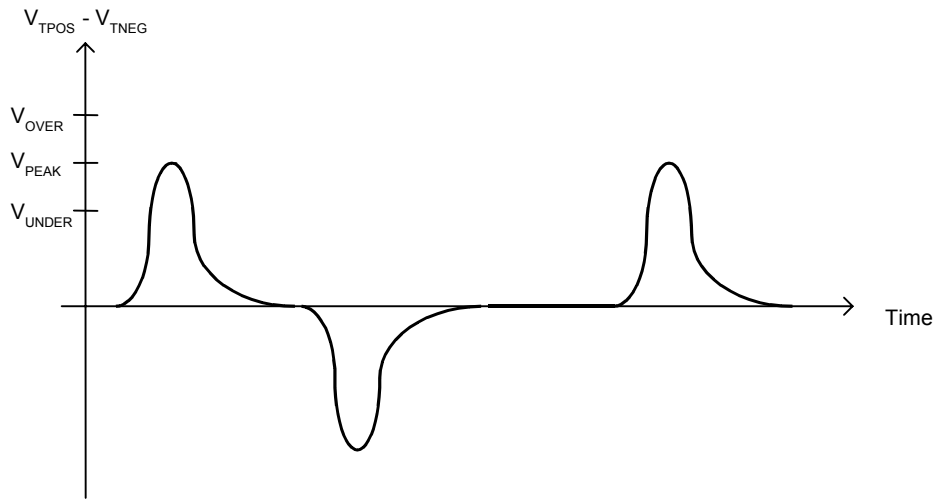
Dual Channel

E3/DS3/STS-1 LIU

ELECTRICAL SPECIFICATIONS (continued)

TRANSMIT MONITOR

The transmit monitor function looks at the signals on the LOU TPx and LOU TNx pins and checks for the existence of a valid signal. The monitor detects the peak of the transmitted signal at the LOU TPx and LOU TNx pins and checks that it is between V_{UNDER} and V_{OVER} at all times. If the peak level is within the voltage threshold window, the TXNW signal is low. If the peak level falls outside of the threshold limits for more than approximately 32 bit times, the TXNW signal goes high.



PARAMETER	CONDITION	MIN	TYP	MAX	UNIT
V_{UNDER}	DS3 mode with LBOx=1 STS-1 mode		320		mVpk
V_{UNDER}	E3 mode DS3 mode with LBOx=0		400		mVpk
V_{OVER}	DS3 mode with LBOx=1 STS-1 mode		1280		mVpk
V_{OVER}	E3 mode DS3 mode with LBOx=0		1600		mVpk

78P2342
Dual Channel
E3/DS3/STS-1 LIU

ELECTRICAL SPECIFICATIONS (continued)

DS3/STS-1 RECEIVER (Transformer-coupled)

PARAMETER	CONDITION	MIN	TYP	MAX	UNIT
Peak Differential Input Amplitude, L1NPx and L1NNx	MON=0. Signal at DSX is 360-850 mVpk. See Notes 2, 3	90		850	mVpk
	MON=1	25		80	mVpk
	MON=0. DS3-HIGH	90		1200	mVpk
Flat-loss Tolerance	MON=0. All valid cable lengths.	0		6	dB
Receive Clock Jitter	DS3 mode with 10 Hz – 400 kHz				
	a) Normal receive mode b) Remote loopback mode			0.1 0.06	U1pp U1pp
Bit Error Ratio in the presence of an Interfering Signal (IS) at L1NPx and L1NNx	IS is a sinusoidal tone, 22.368 MHz for DS3 or 25.92 MHz for STS-1. Data is a PRBS15 ($2^{15}-1$) pattern. IS power is 9dB below data signal power.		10 ⁻⁹		

Note 2: Signal source should meet DS3 template of ANSI-T102.1993 Figure 4 and STS-1 template of ANSI-T102.1993 Figure 5, Loss characteristics of the WE728A or RG 59B cable should be better than Figure C2 of ANSI-T102.1993.

Note 3: Receiver can handle up to 450 feet of cable loss (5.5dB) from the DSX cross-connect.

78P2342

Dual Channel

E3/DS3/STS-1 LIU

ELECTRICAL SPECIFICATIONS (continued)

E3 – RECEIVER (Transformer-coupled)

PARAMETER	CONDITION	MIN	TYP	MAX	UNIT
Peak Differential Input Amplitude, LINP _x and LINN _x	MON=0, See Note 1	104		1100	mVpk
	MON=1	25.5		85	mVpk
Flat-loss Tolerance	MON=0. All valid cable lengths.	0		6	dB
Receive Clock Jitter	With 100Hz-800kHz filter:				
	a) Normal receive mode b) Remote loopback mode			0.1 0.06	UIpp UIpp
Bit Error Ratio in the presence of an Interfering Signal (IS) at Receive Input	IS is a 17.184 MHz sinusoidal tone. Data is a PRBS15 (2 ¹⁵ -1) pattern. IS power is 9dB below data signal power.		10 ⁻⁹		

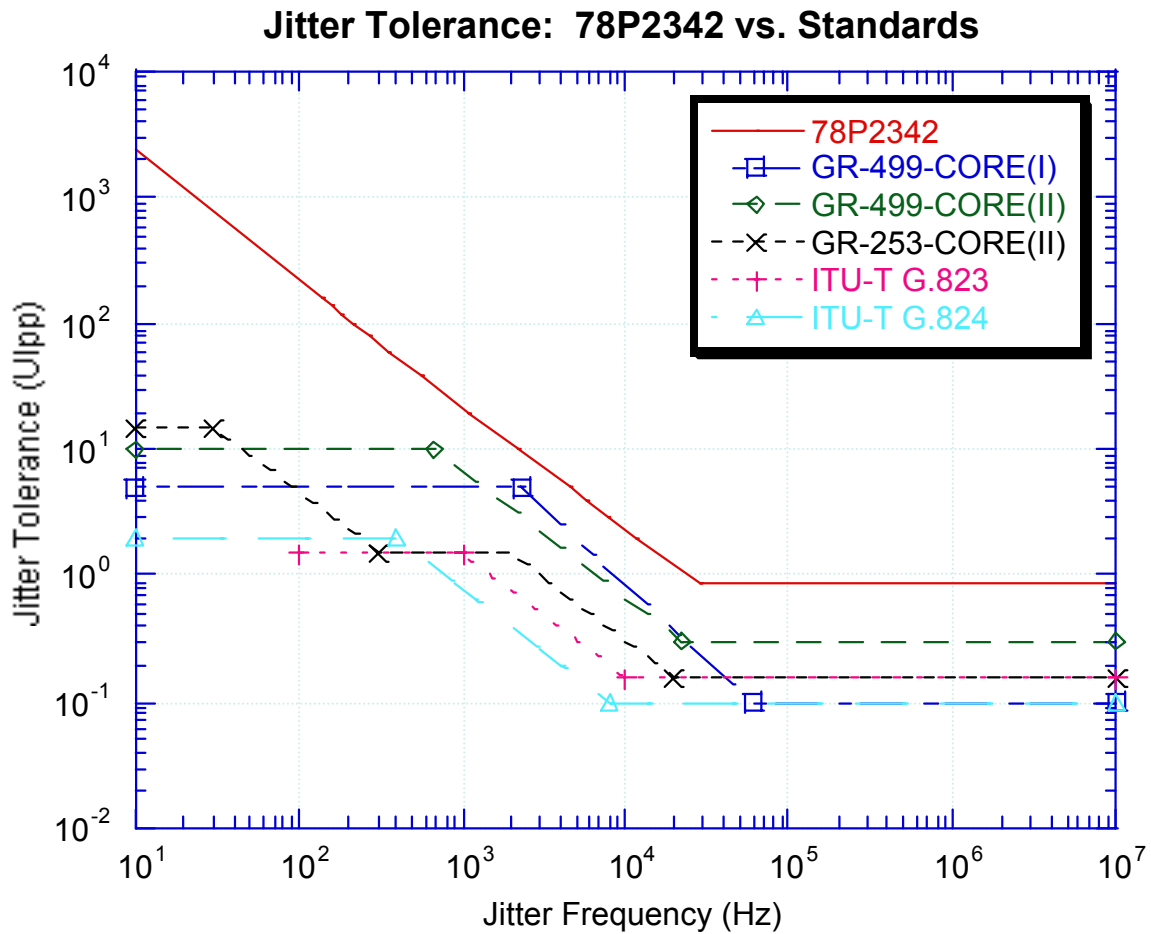
Note 1: 104 mVpk equals 900 mVpk at the transmit source with 1100 feet of cable (13.2dB loss).

ELECTRICAL SPECIFICATIONS (continued)

RECEIVER JITTER TOLERANCE

The 78P2342 receive jitter tolerance exceeds all specifications as shown on the graph below.

PARAMETER	CONDITION	MIN	NOM	MAX	UNIT
Receiver Jitter Tolerance	> 60 kHz	0.75			UIpp



78P2342

Dual Channel

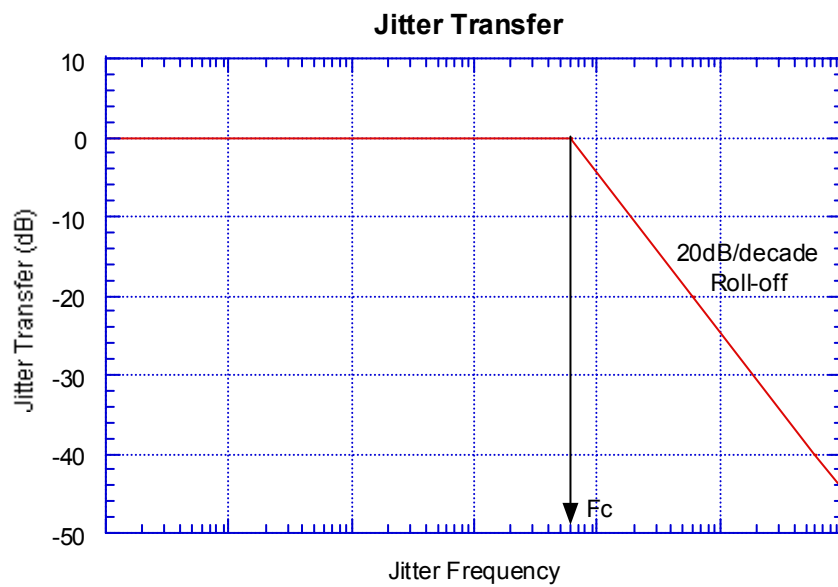
E3/DS3/STS-1 LIU

ELECTRICAL SPECIFICATIONS (continued)

RECEIVER JITTER TRANSFER FUNCTION

The receiver clock recovery loop characteristics are such that the receiver has the following transfer function.

PARAMETER	CONDITION	MIN	NOM	MAX	UNIT
Receiver Jitter transfer function	Below F_c			0.1	dB
Jitter transfer function roll-off				55	kHz
Receiver Jitter Bandwidth, F_c			20		dB per decade



78P2342
Dual Channel
E3/DS3/STS-1 LIU

APPLICATION INFORMATION

EXTERNAL COMPONENTS:

COMPONENT	PIN(S)	VALUE	UNITS	TOLERANCE
Receiver Termination Resistor	LINPx LINNx	84	Ω	1%
Transmitter Termination Resistor <ul style="list-style-type: none"> ➤ Termination resistor value can vary with transformer vendor. Please contact factory for more information. 	LOUTPx LOUTNx	400	Ω	1%

TRANSFORMER SPECIFICATIONS:

COMPONENT	VALUE	UNITS	TOLERANCE
Turns Ratio for the Receiver		1:1	
Turns Ratio for the Transmitter (center-tapped)		2:1	

Suggested Manufacturer: Pulse, TDK, Halo

SCHEMATICS

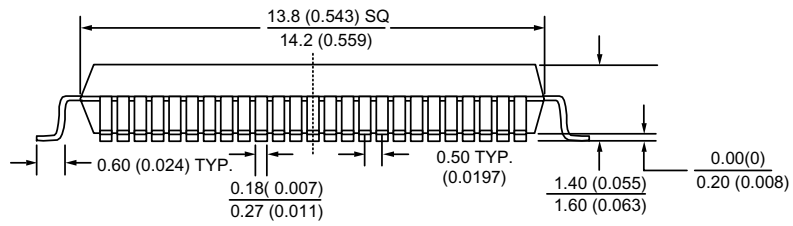
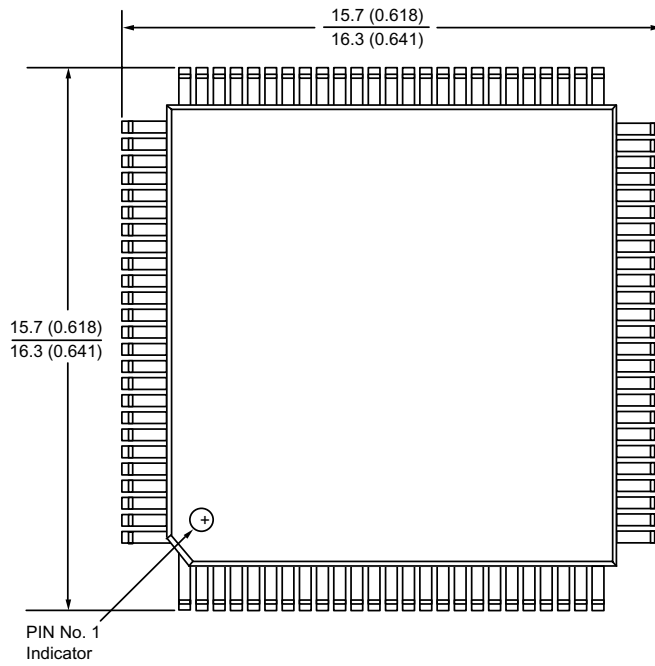
For the latest typical application schematics, please check TDK Semiconductor's website or contact your local sales representative for the latest application note(s) and/or demo board manuals.

78P2342

Dual Channel

E3/DS3/STS-1 LIU

MECHANICAL SPECIFICATIONS



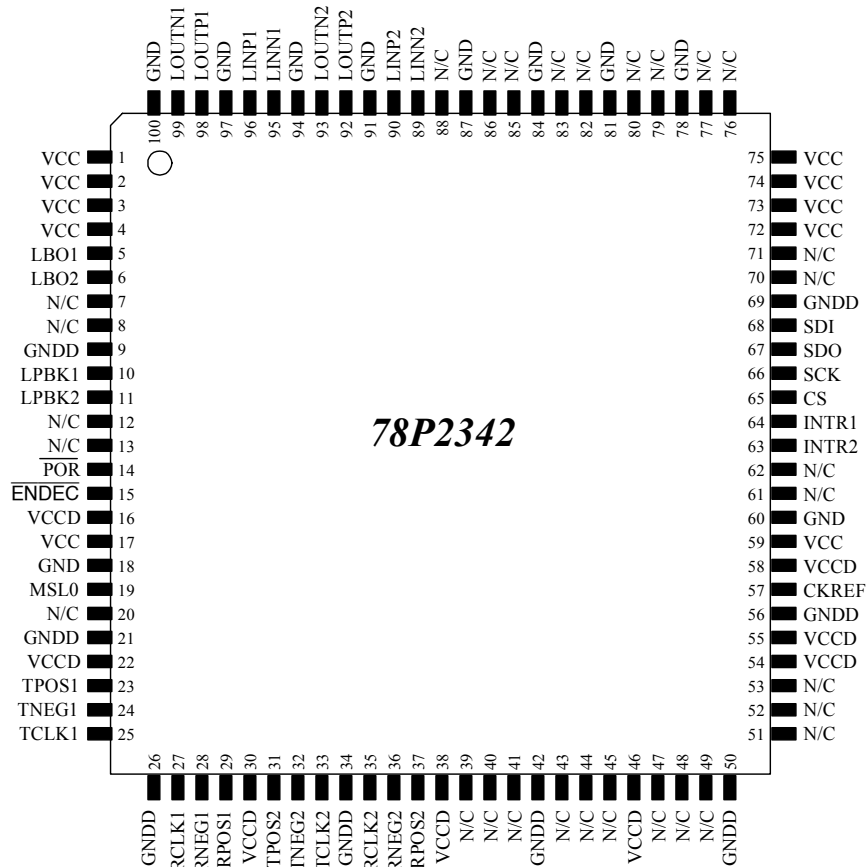
100-pin TQFP (JEDEC LQFP)
Mechanical Specification

78P2342 Dual Channel E3/DS3/STS-1 LIU

PACKAGE INFORMATION

Pin-Out

(Top View)



78P2342

100-pin TQFP (JEDEC LQFP)

REVISION HISTORY

Revision Date:	Revision Description:
June 24, 2002	<ul style="list-style-type: none"> ▪ ENDEC pin addition (pin 15) and default change to ENDEC bit ▪ Changed LBOx pin functionality by adding TXEN & PDTX control ▪ Corrected LPBKx pin description and Intrinsic Transmit Jitter spec.

Target Data Sheet: This Target Data Sheet is proprietary to TDK Semiconductor Corporation (TSC) and sets forth design goals for the described product. The data sheet is subject to change. TSC assumes no obligation regarding future manufacture, unless agreed to in writing.

If and when manufactured and sold, this product is sold subject to the terms and conditions of sale supplied at the time of order acknowledgment, including those pertaining to warranty, patent infringement and limitation of liability. TDK Semiconductor Corporation (TSC) reserves the right to make changes in specifications at any time without notice. Accordingly, the reader is cautioned to verify that a data sheet is current before placing orders. TSC assumes no liability for applications assistance.

TDK Semiconductor Corp., 2642 Michelle Dr., Tustin, CA 92780
TEL (714) 508-8800, FAX (714) 508-8877, <http://www.tdksemiconductor.com>